

ROUND WIRE SERIES

圆线拉篮系列



圆钢纳米干镀三边炉台篮
Nano dry plating three-side multifunction spice basket

89-90



圆不锈钢电镀三边炉台篮
Stainless steel three-side multifunction spice basket

91-92



圆不锈钢电解三边炉台篮
Stainless steel three-side multifunction spice basket

93-94



圆钢纳米干镀多功能调味篮
Nano dry plating multifunctional seasoning basket

95-96



圆不锈钢电镀多功能调味篮
Stainless steel multifunctional seasoning basket

97-98



圆不锈钢电解多功能调味篮
Stainless steel multifunctional seasoning basket

99-100



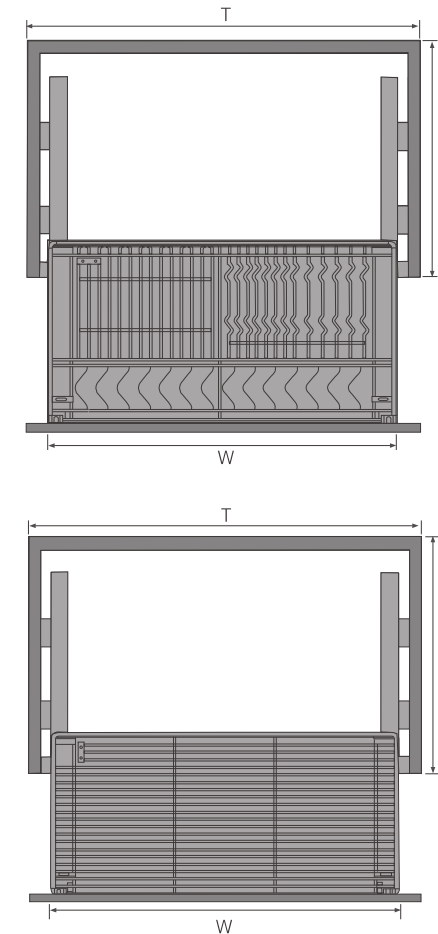
圆钢四边篮
Four-side drawer basket

101-102

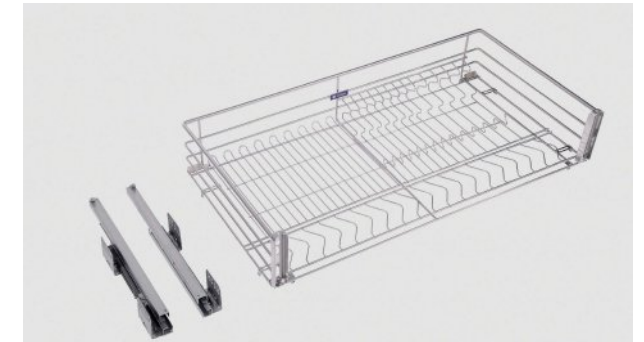




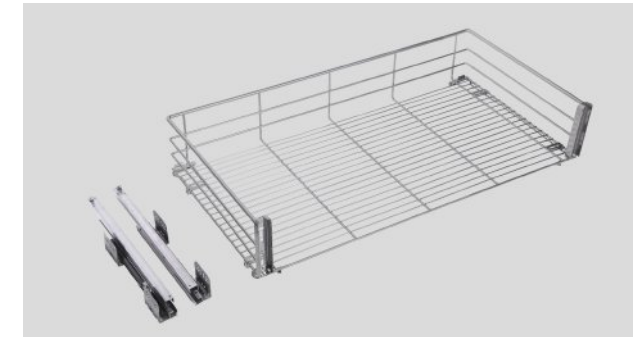
结构尺寸 DIMENSION



产品图 PRODUCTS



圆钢纳米干镀多功能三边碗盘篮 Three-side dish basket



圆钢纳米干镀多功能三边平篮 Three-side flat basket



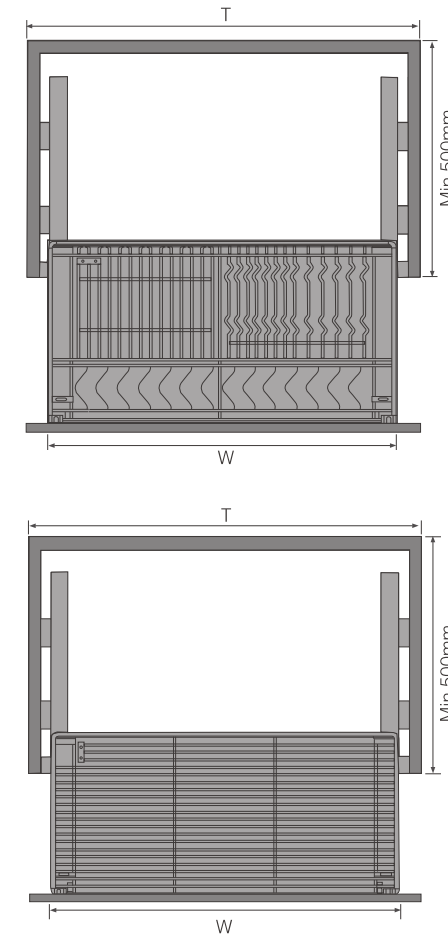
产品参数 PARAMETERS

THREE-SIDE MULTIFUNCTION SPICE BASKET / 圆钢纳米干镀多功能三边炉台篮经济套装(平篮+碗盘篮)

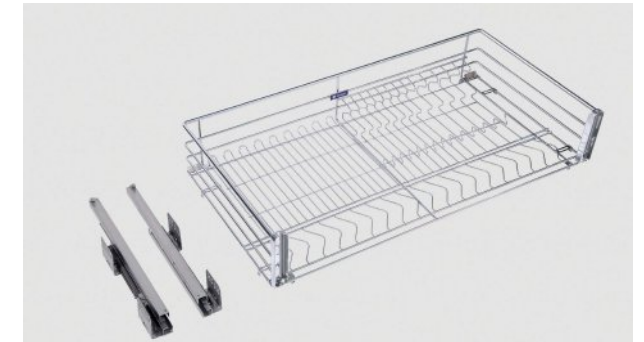
型号 Item	柜体宽度 Cabinet (T)	宽x深x高 Width x Depth x Height	描述 Description
SH110600J	600mm	W530 x D430 x H190mm	Nano dry plating
SH110700J	700mm	W630 x D430 x H190mm	Nano dry plating
SH110720J	720mm	W660 x D430 x H190mm	Nano dry plating
SH110750J	750mm	W690 x D430 x H190mm	Nano dry plating
SH110800J	800mm	W740 x D430 x H190mm	Nano dry plating
SH110900J	900mm	W840 x D430 x H190mm	Nano dry plating



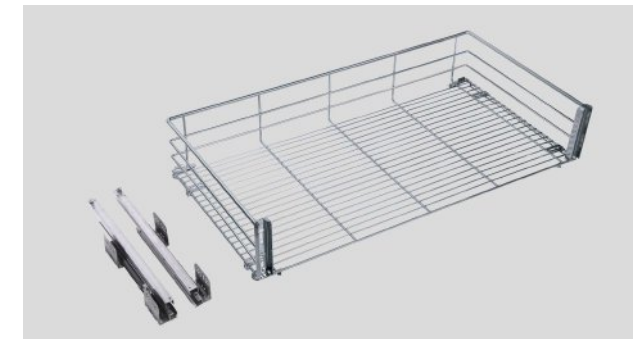
结构尺寸 DIMENSION



产品图 PRODUCTS



圆钢纳米干镀多功能三边碗盘篮 Three-side dish basket



圆钢纳米干镀多功能三边平篮 Three-side flat basket

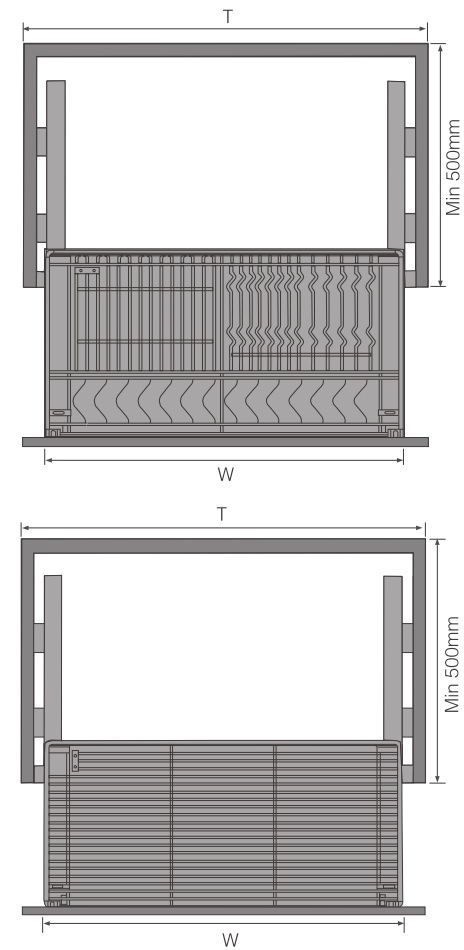


产品参数 PARAMETERS

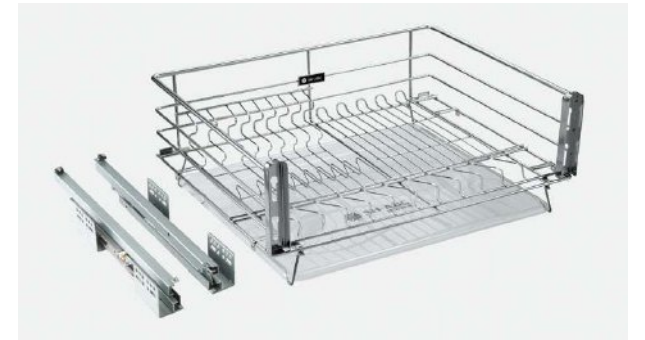
THREE-SIDE MULTIFUNCTION SPICE BASKET / 圆不锈钢电镀多功能三边炉台篮爆款套装(平篮+碗盘篮)			
型号 Item	柜体宽度 Cabinet (T)	宽x深x高 Width x Depth x Height	描述 Description
SHS110600DD	600mm	W530 x D430 x H190mm	不锈钢 Stainless Steel
SHS110700DD	700mm	W630 x D430 x H190mm	不锈钢 Stainless Steel
SHS110720DD	720mm	W660 x D430 x H190mm	不锈钢 Stainless Steel
SHS110750DD	750mm	W690 x D430 x H190mm	不锈钢 Stainless Steel
SHS110800DD	800mm	W740 x D430 x H190mm	不锈钢 Stainless Steel
SHS110900DD	900mm	W840 x D430 x H190mm	不锈钢 Stainless Steel



结构尺寸 DIMENSION



产品图 PRODUCTS



圆不锈钢电解多功能三边碗盘篮 Three-side dish basket



圆不锈钢电解多功能三边平篮 Three-side flat basket



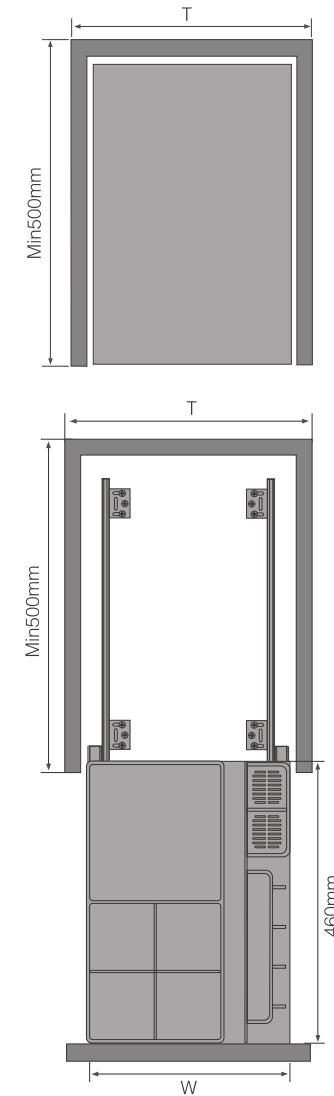
产品参数 PARAMETERS

THREE-SIDE MULTIFUNCTION SPICE BASKET / 圆不锈钢电解多功能三边炉台篮经济套装(平篮+碗盘篮)

型号 Item	柜体宽度 Cabinet (T)	宽x深x高 Width x Depth x Height	描述 Description
SHS110600J	600mm	W530 x D430 x H190mm	不锈钢 Stainless Steel
SHS110700J	700mm	W630 x D430 x H190mm	不锈钢 Stainless Steel
SHS110720J	720mm	W660 x D430 x H190mm	不锈钢 Stainless Steel
SHS110750J	750mm	W690 x D430 x H190mm	不锈钢 Stainless Steel
SHS110800J	800mm	W740 x D430 x H190mm	不锈钢 Stainless Steel
SHS110900J	900mm	W840 x D430 x H190mm	不锈钢 Stainless Steel



结构尺寸 DIMENSION



产品图 PRODUCTS



圆线拉篮系列
Round Wire Series

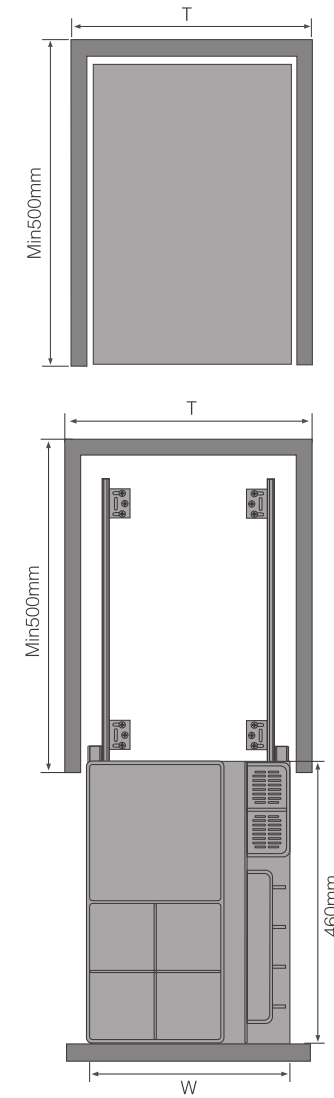
产品参数 PARAMETERS

MULTIFUNCTIONAL SEASONING BASKET / 圆钢纳米干镀调味篮

型号 Item	柜体宽度 Cabinet (T)	宽x深x高 Width x Depth x Height	描述 Description
SH1331300J	300mm	W240 x D460 x H460mm	纳米干镀 Nano dry plating
SH1331350J	350mm	W290 x D460 x H460mm	纳米干镀 Nano dry plating
SH1331400J	400mm	W340 x D460 x H460mm	纳米干镀 Nano dry plating
SH1331450J	450mm	W390 x D460 x H460mm	纳米干镀 Nano dry plating



结构尺寸 DIMENSION



产品图 PRODUCTS



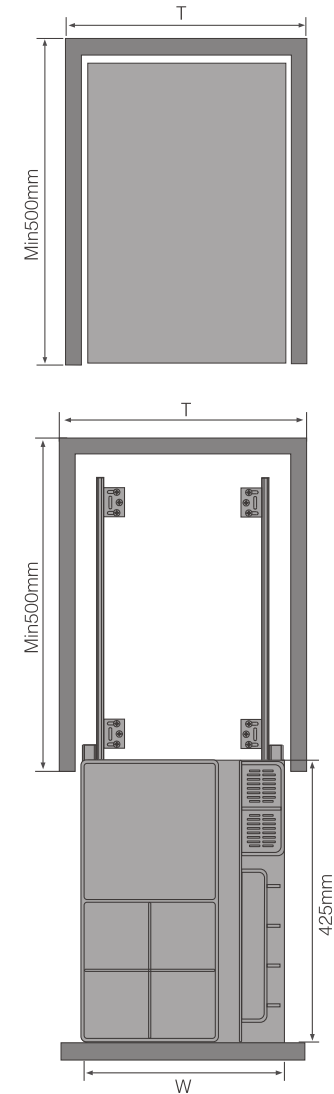
Round Wire Series
圆线拉篮系列

产品参数 PARAMETERS

MULTIFUNCTIONAL SEASONING BASKET / 圆不锈钢电镀调味篮			
型号 Item	柜体宽度 Cabinet (T)	宽x深x高 Width x Depth x Height	描述 Description
SHS1331200DD	200mm	W145 x D460 x H460mm	不锈钢 Stainless Steel
SHS1331250DD	250mm	W190 x D460 x H460mm	不锈钢 Stainless Steel
SHS1331300DD	300mm	W240 x D460 x H460mm	不锈钢 Stainless Steel
SHS1331350DD	350mm	W290 x D460 x H460mm	不锈钢 Stainless Steel
SHS1331400DD	400mm	W340 x D460 x H460mm	不锈钢 Stainless Steel
SHS1331450DD	450mm	W390 x D460 x H460mm	不锈钢 Stainless Steel



结构尺寸 DIMENSION



产品图 PRODUCTS



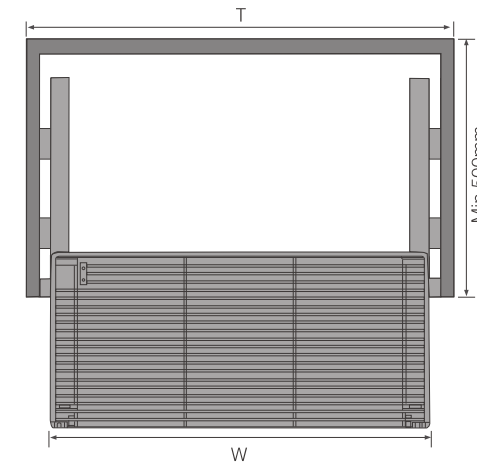
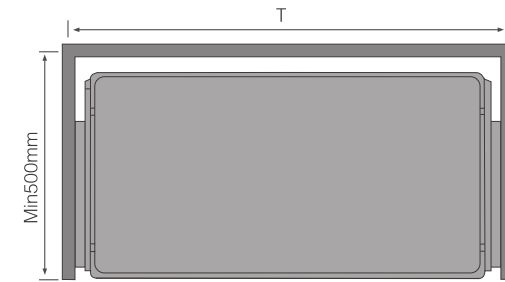
Round Wire Series
圆线拉篮系列

产品参数 PARAMETERS

MULTIFUNCTIONAL SEASONING BASKET / 圆不锈钢电解调味篮			
型号 Item	柜体宽度 Cabinet (T)	宽x深x高 Width x Depth x Height	描述 Description
SHS1331300J	300mm	W236 x D425 x H455mm	不锈钢 Stainless Steel
SHS1331350J	350mm	W286 x D425 x H455mm	不锈钢 Stainless Steel
SHS1331400J	400mm	W336 x D425 x H455mm	不锈钢 Stainless Steel
SHS1331450J	450mm	W386 x D425 x H455mm	不锈钢 Stainless Steel



结构尺寸 DIMENSION



产品图 PRODUCTS



圆钢电镀四边碗盘篮 Four-side dish basket



圆钢电镀四边平篮 Four-side flat basket

产品参数 PARAMETERS

FOUR-SIDES DISH BASKET / 圆钢电镀四边碗盘篮		
型号 Item	柜体宽度 Cabinet (T)	宽×深×高 Width x Depth x Height
SH4211600W	600mm	W550 x D440 x H175mm
SH4211700W	700mm	W650 x D440 x H175mm
SH4211720W	720mm	W670 x D440 x H175mm
SH4211750W	750mm	W700 x D440 x H175mm
SH4211800W	800mm	W750 x D440 x H175mm
SH4211900W	900mm	W850 x D440 x H175mm

FOUR-SIDES FLAT BASKET / 圆钢电镀四边平篮		
型号 Item	柜体宽度 Cabinet (T)	宽×深×高 Width x Depth x Height
SH4211600P	600mm	W550 x D440 x H175mm
SH4211700P	700mm	W650 x D440 x H175mm
SH4211720P	720mm	W670 x D440 x H175mm
SH4211750P	750mm	W700 x D440 x H175mm
SH4211800P	800mm	W750 x D440 x H175mm
SH4211900P	900mm	W850 x D440 x H175mm

FUNCTIONAL BASKET SERIES

功能拉篮系列



星徽多功能拉篮系列，采用经典的圆线铁框与国际领先的阻尼滑轨相融合，保持拉篮的顺滑平稳效果，超大的收纳空间，随时满足您的实用需求，让您的橱柜更灵动、随心！

SACA multi-functional basket series, using the classic round wire frame and the international leading soft-closing slide integration, to maintain the smooth and steady effect of the basket, super large storage space, at any time to meet your practical needs, make your cabinet more flexible, follow one's heart!

圆线大怪物 High Cabinet Linking Basket

105-106



圆线高柜拉篮 High Cabinet Pull-out Basket

107-108



圆线小怪物 Base Cabinet Linking Basket

109-110



转盘篮 Revolving Basket

111-114



升降机 Lift Basket

115-116



吊柜碗碟架 Wall cabinet Dish Rack

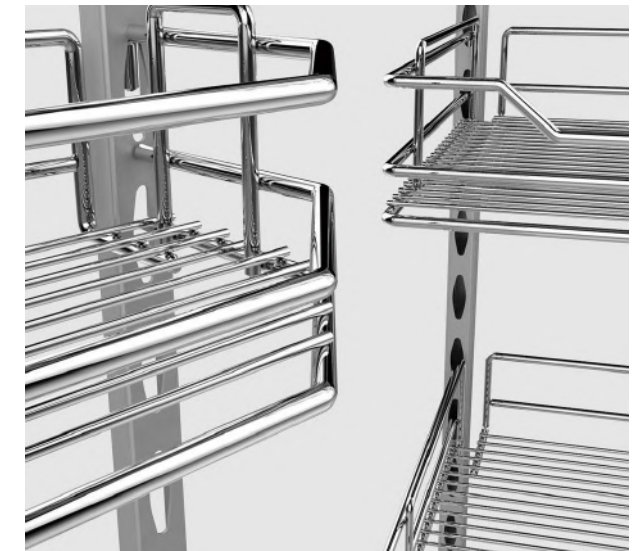
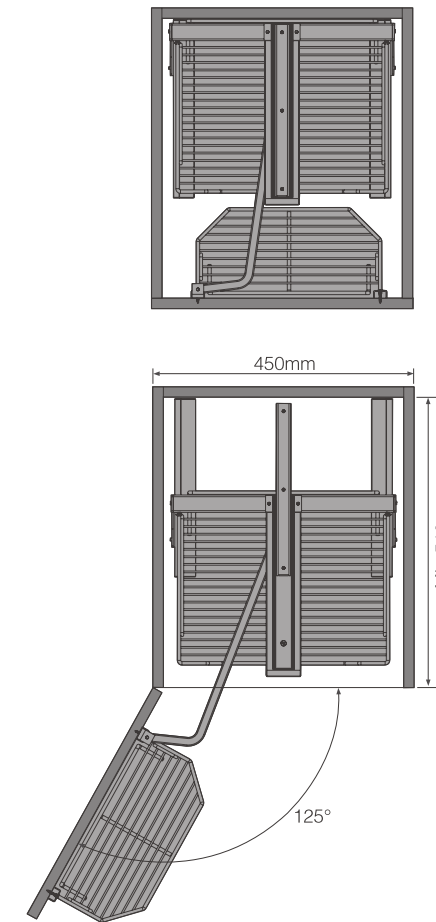
117-118





结构尺寸 DIMENSION

产品图 PRODUCTS



产品参数 PARAMETERS

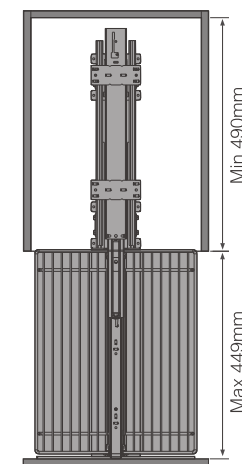
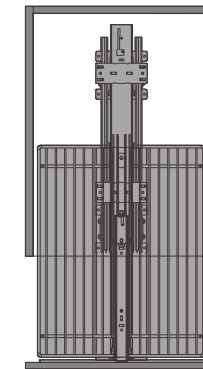
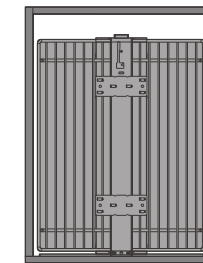
HIGH CABINET LINKING BASKET / 经典线型大怪物			
型号 Item	柜体宽度 Cabinet (T)	宽x深x高 Width x Depth x Height	描述 Description
SH2111450-4	450mm	W385 x D510 x H(1150-1450)mm	铁线四层 4 Layers
SH2111450-5	450mm	W385 x D510 x H(1250-1550)mm	铁线五层 5 Layers
SH2111450-6	450mm	W385 x D510 x H(1650-1950)mm	铁线六层 6 Layers
SH2111450+6	450mm	W385 x D510 x H(1850-2150)mm	铁线高六层 6 Layers
SH2111600-4	600mm	W535 x D510 x H(1150-1450)mm	铁线四层 4 Layers
SH2111600-5	600mm	W535 x D510 x H(1250-1550)mm	铁线五层 5 Layers
SH2111600-6	600mm	W535 x D510 x H(1650-1950)mm	铁线六层 6 Layers
SH2111600+6	600mm	W535 x D510 x H(1850-2150)mm	铁线高六层 6 Layers

适用柜体内空深度 Inside net depth: Min520mm



结构尺寸 DIMENSION

产品图 PRODUCTS



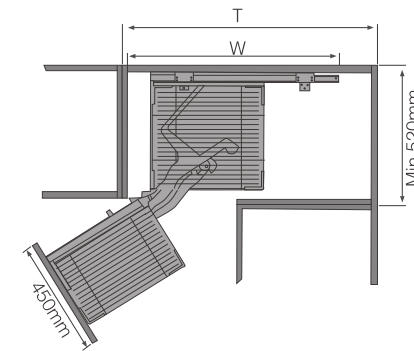
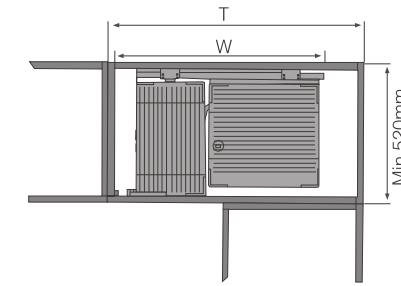
产品参数 PARAMETERS

HIGH CABINET PULL-OUT BASKET / 经典线型高柜拉篮			
型号 Item	柜体宽度 Cabinet (T)	宽×深×高 Width x Depth x Height	描述 Description
SH2511300-4	300mm	W240 x D450 x H(1150-1350)mm	铁线四层 4 Layers
SH2511300-5	300mm	W240 x D450 x H(1400-1700)mm	铁线五层 5 Layers
SH2511300-6	300mm	W240 x D450 x H(1700-2000)mm	铁线六层 6 Layers
SH2511300+6	300mm	W240 x D450 x H(1850-2200)mm	铁线高六层 6 Layers
SH2511400-4	400mm	W350 x D480 x H(1150-1350)mm	铁线四层 4 Layers
SH2511400-5	400mm	W350 x D480 x H(1400-1700)mm	铁线五层 5 Layers
SH2511400-6	400mm	W350 x D480 x H(1700-2000)mm	铁线六层 6 Layers
SH2511400+6	400mm	W350 x D480 x H(1850-2200)mm	铁线高六层 6 Layers

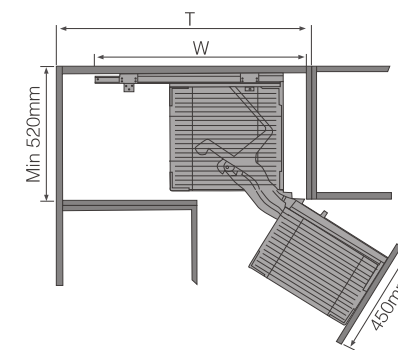
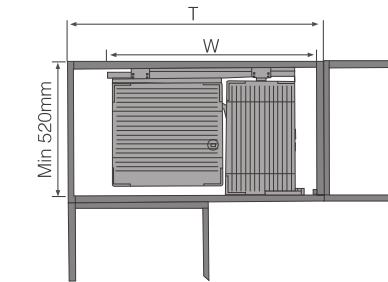


结构尺寸 DIMENSION

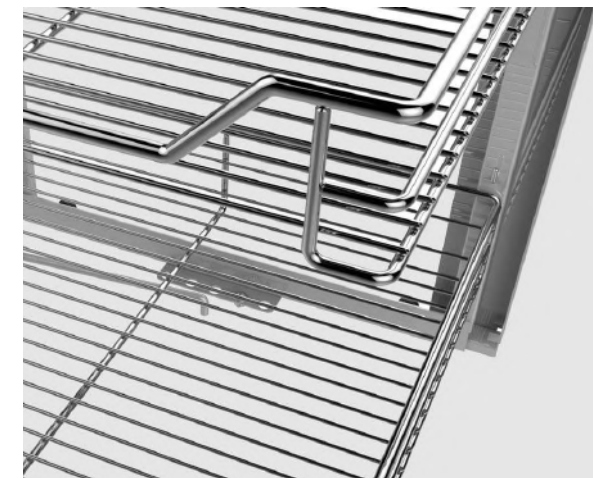
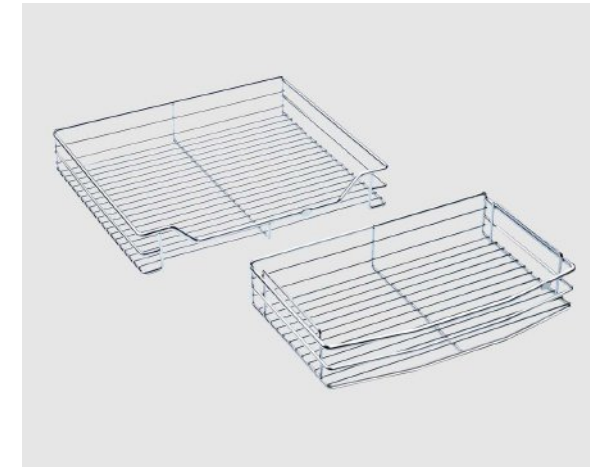
左开 Left opening



右开 Right opening



产品图 PRODUCTS



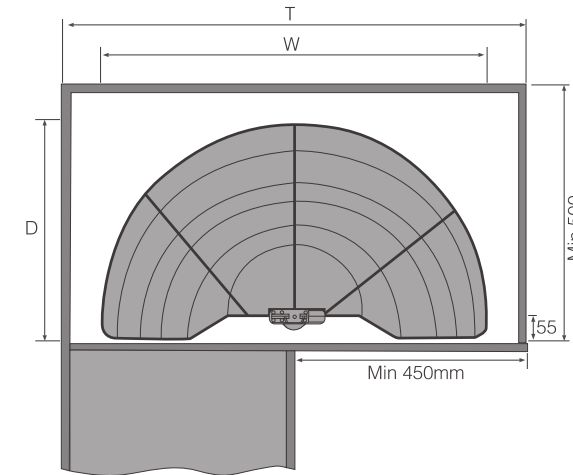
产品参数 PARAMETERS

BASE CABINET LINKING BASKET / 圆线小怪物

型号 Item	柜体宽度 Cabinet (T)	宽x深x高 Width x Depth x Height	描述 Description
SHTD2212900	900-1000mm	W864~914 x D520 x H580mm	不分左右



结构尺寸 DIMENSION



产品图 PRODUCTS

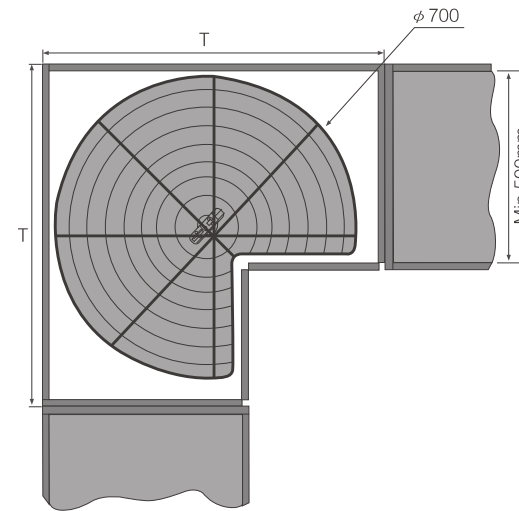


产品参数 PARAMETERS

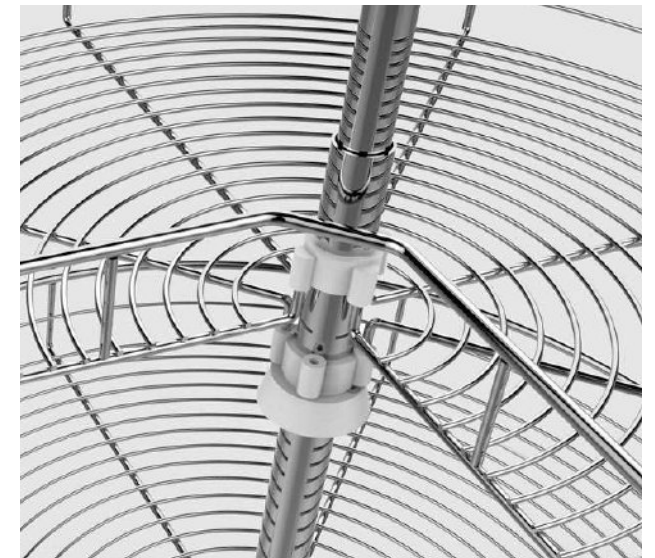
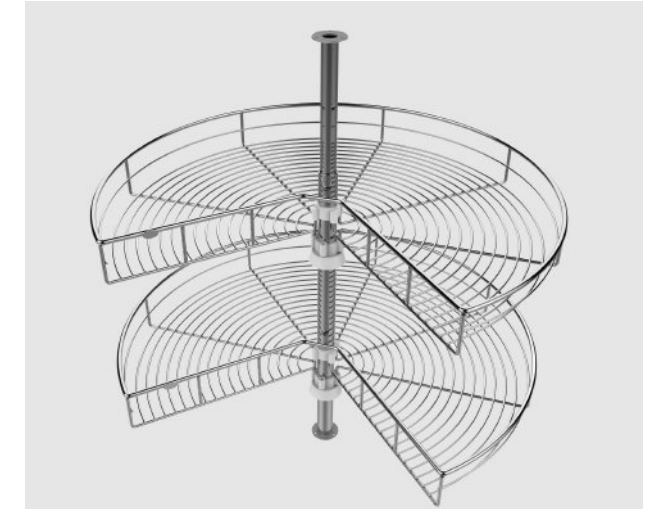
180° REVOLVING BASKET / 180° 转盘篮			
型号 Item	柜体宽度 Cabinet (T)	宽x深x高 Width x Depth x Height	描述 Description
SH2411180	700mm	Ø630 x H(560-700)mm	优质圆钢镀铬



结构尺寸 DIMENSION



产品图 PRODUCTS



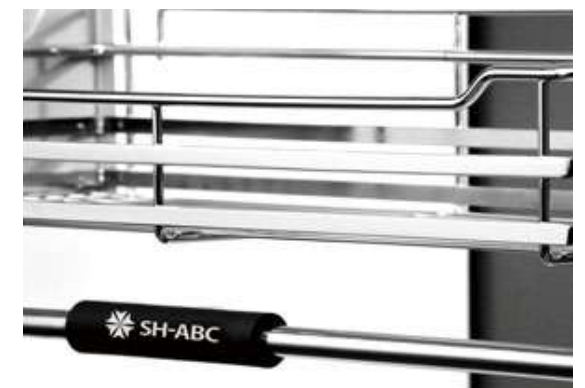
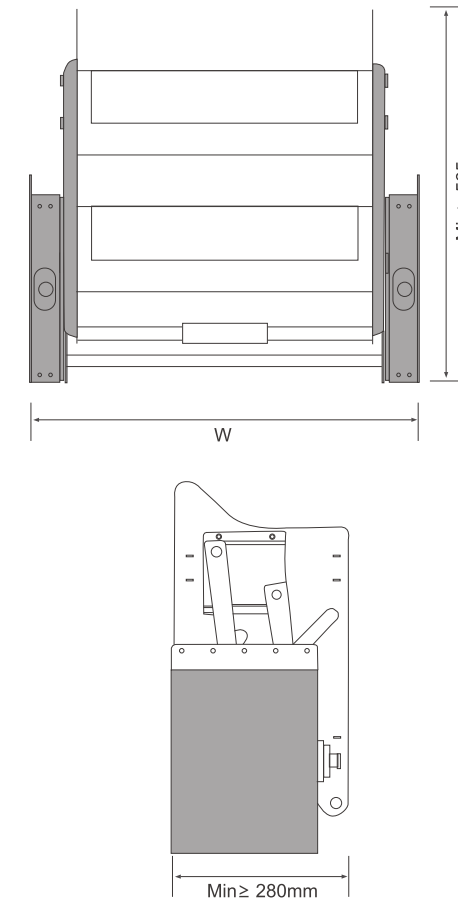
产品参数 PARAMETERS

270° REVOLVING BASKET / 270° 转盘篮			
型号 Item	柜体宽度 Cabinet (T)	宽x深x高 Width x Depth x Height	描述 Description
SH2411270	700mm	Ø600 x H(560-700)mm	优质圆钢电镀



结构尺寸 DIMENSION

产品图 PRODUCTS



建议产品门板高度 ≥ 610mm
Suggest height of door ≥ 610mm

产品参数 PARAMETERS

LIFT BASKET / 二代线型加力型升降机

型号 Item	柜体宽度 Cabinet (T)	宽x深x高 Width x Depth x Height	描述 Description
SH2621600	600mm	W564 x D295 x H550mm	优质圆钢电镀 Chrome-plated wire shelves
SH2621700	700mm	W664 x D295 x H550mm	优质圆钢电镀 Chrome-plated wire shelves
SH2621800	800mm	W764 x D295 x H550mm	优质圆钢电镀 Chrome-plated wire shelves
SH2621900	900mm	W864 x D295 x H550mm	优质圆钢电镀 Chrome-plated wire shelves

产品图 PRODUCTS



产品参数 PARAMETERS

WALL CABINET DISH RACK / 吊柜碗碟架			
型号 Item	柜体宽度 Cabinet (T)	宽x深x高 Width x Depth x Height	描述 Description
SHS2721600	600mm	W564 x D280 x H65mm	不锈钢/可放8-30cm大碟
SHS2721700	700mm	W664 x D280 x H65mm	不锈钢/可放8-30cm大碟
SHS2721800	800mm	W764 x D280 x H65mm	不锈钢/可放8-30cm大碟
SHS2721900	900mm	W864 x D280 x H65mm	不锈钢/可放8-30cm大碟