

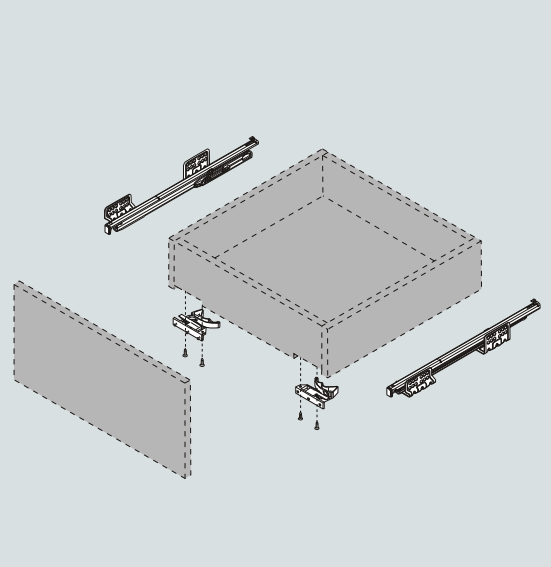
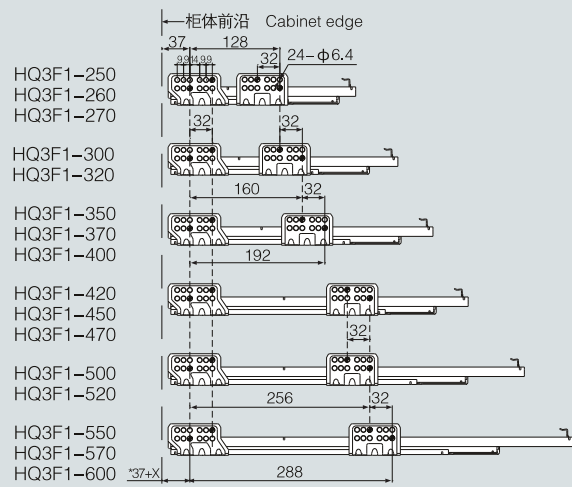
标配分离器 Locking Device (HQ3F1)

- 载重: 15kg
- 滑轨自动排除脏物功能, 无需维护
- 轻柔顺畅, 自动回位
- 有高度调节功能, 可通过转动蓝色轮子调节导轨和抽屉底部间隙
- 无需工具, 抽屉可快速安装和拆卸
- 有缓冲功能
- Dynamic load capacity: 15kg
- Soft-closing function make the drawer close safely without effect of weight
- With height-adjustment function, the gap between drawer bottom and slides can be adjusted by rotating the blue plastic wheel
- Tool-free, quick installation
- With soft close function

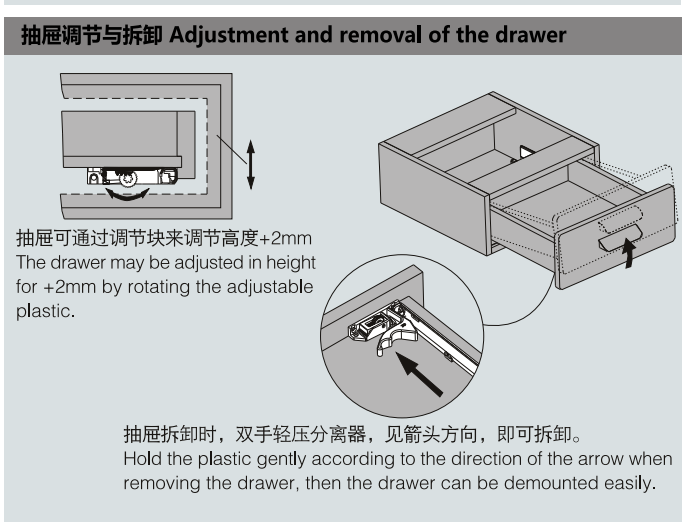
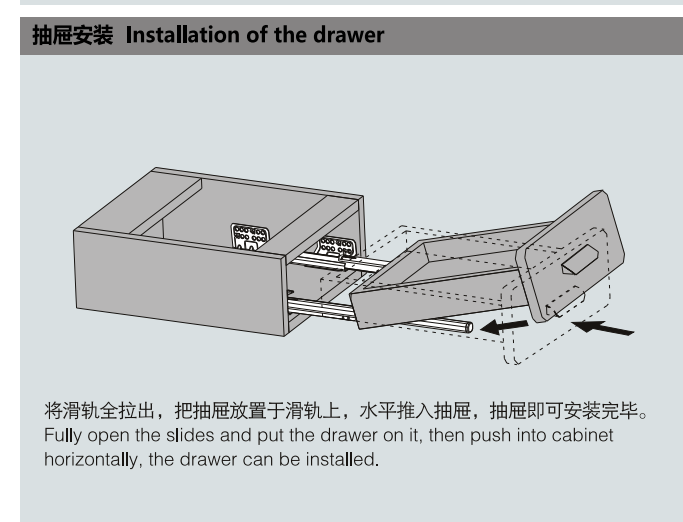
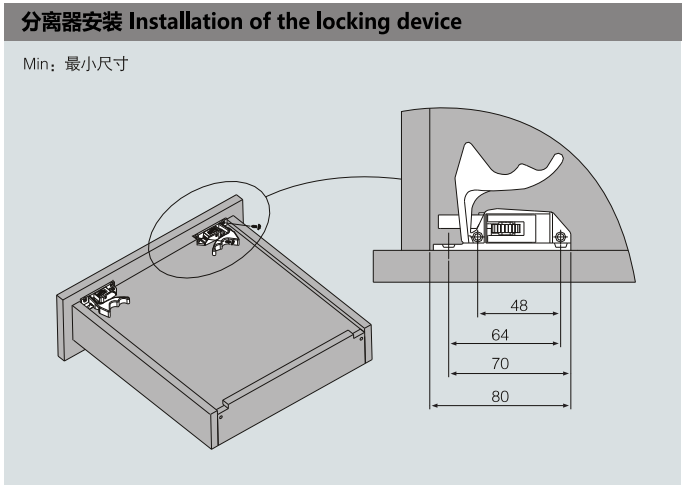
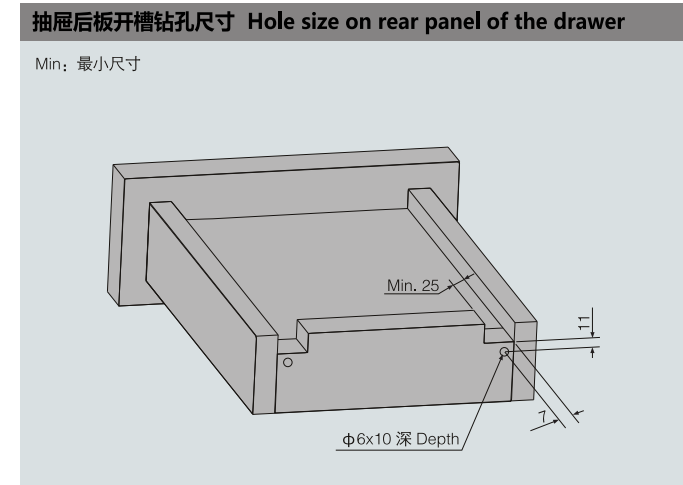
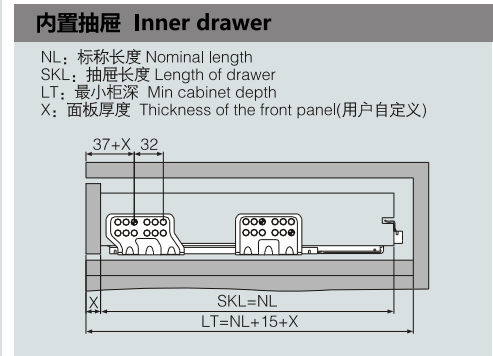
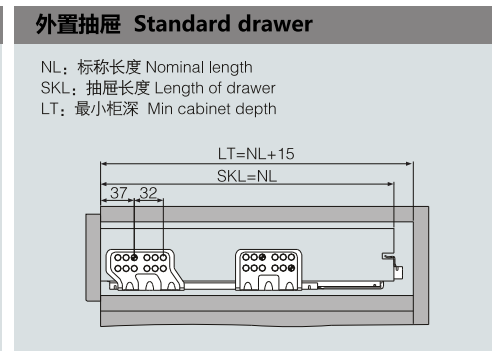
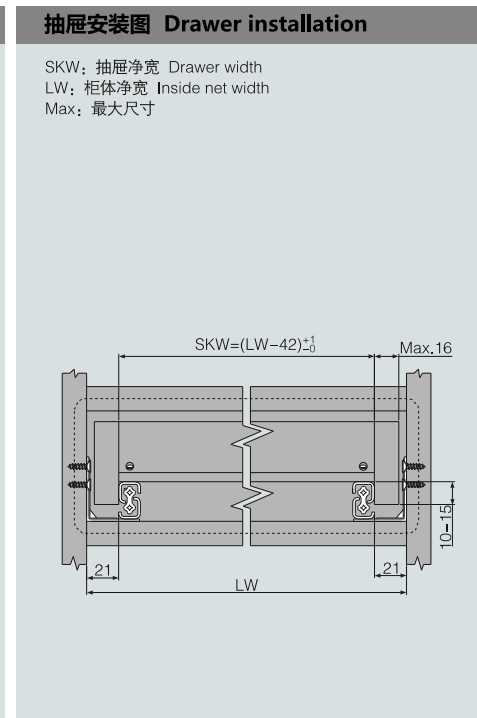
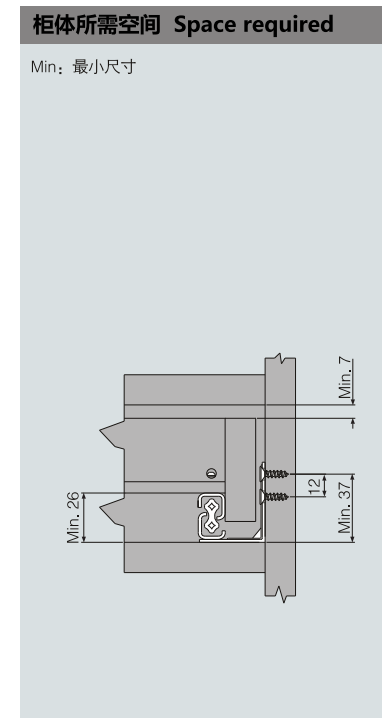


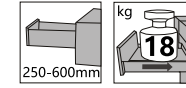
选配分离器 Locking Device (HQ3F6)

**柜体滑轨安装孔尺寸 Hole pattern**



产品型号 Item No.	标称长度NL (mm) Nominal length	拉出长度 (mm) Travel length	最小柜深LT (mm) (外抽 / 内抽) Min cabinet depth (Standard / Inner)	包装 (套/箱) Packing (Set/Box)
HQ3F1-250	250	242	265 / 265+X	10
HQ3F1-260	260	252	275 / 275+X	10
HQ3F1-270	270	262	285 / 285+X	10
HQ3F1-300	300	292	315 / 315+X	10
HQ3F1-320	320	312	335 / 335+X	10
HQ3F1-350	350	342	365 / 365+X	10
HQ3F1-370	370	362	385 / 385+X	10
HQ3F1-400	400	392	415 / 415+X	10
HQ3F1-420	420	412	435 / 435+X	10
HQ3F1-450	450	442	465 / 465+X	10
HQ3F1-470	470	462	485 / 485+X	10
HQ3F1-500	500	492	515 / 515+X	10
HQ3F1-520	520	512	535 / 535+X	10
HQ3F1-550	550	542	565 / 565+X	10
HQ3F1-570	570	562	585 / 585+X	10
HQ3F1-600	600	592	615 / 615+X	10



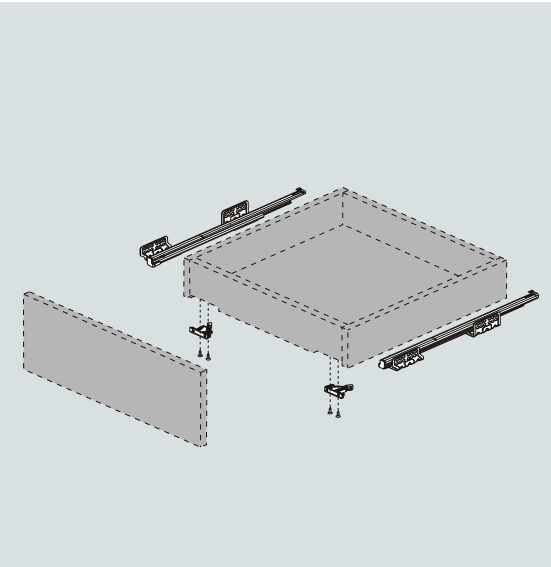
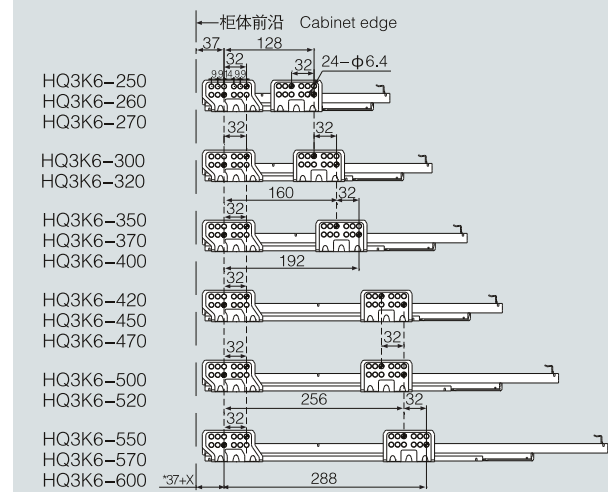


标配分离器 Locking Device (HQ3K6)

- 载重: 18kg
- 滑轨自动排除脏物功能, 无需维护
- 推入式安装; 只要把抽屉放在滑轨上, 往里推, 安装即完成
- 无需工具, 抽屉可快速安装和拆卸
- 有抽屉闭合锁定功能
- Dynamic load capacity: 18kg
- Push type installation, Put drawer on slides horizontally, push it closed, then assembling is finished
- Tool-free, quick installation
- With drawer lock function

选配分离器 Locking Device (HQ3K1)

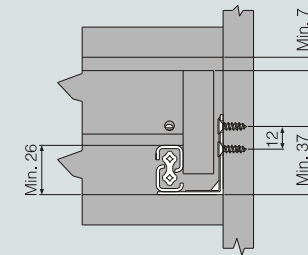
**柜体滑轨安装孔尺寸 Hole pattern**



产品型号 Item No.	标称长度NL (mm) Nominal length	拉出长度 (mm) Travel length	最小柜深LT (mm) (外抽 / 内抽) Min cabinet depth (Standard / Inner)	包装 (套/箱) Packing (Set/Box)
HQ3K6-250	250	242	265 / 265+X	10
HQ3K6-260	260	252	275 / 275+X	10
HQ3K6-270	270	262	285 / 285+X	10
HQ3K6-300	300	292	315 / 315+X	10
HQ3K6-320	320	312	335 / 335+X	10
HQ3K6-350	350	342	365 / 365+X	10
HQ3K6-370	370	362	385 / 385+X	10
HQ3K6-400	400	392	415 / 415+X	10
HQ3K6-420	420	412	435 / 435+X	10
HQ3K6-450	450	442	465 / 465+X	10
HQ3K6-470	470	462	485 / 485+X	10
HQ3K6-500	500	492	515 / 515+X	10
HQ3K6-520	520	512	535 / 535+X	10
HQ3K6-550	550	542	565 / 565+X	10
HQ3K6-570	570	562	585 / 585+X	10
HQ3K6-600	600	592	615 / 615+X	10

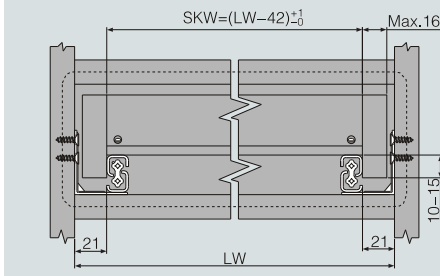
**柜体所需空间 Space required**

Min: 最小尺寸



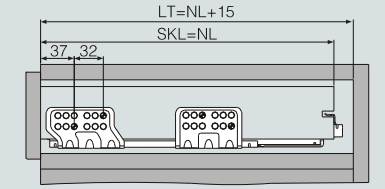
**抽屉安装图 Drawer installation**

SKW: 抽屉净宽 Drawer width  
LW: 柜体净宽 Inside net width  
Max: 最大尺寸



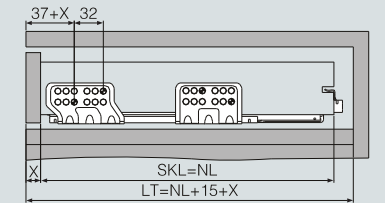
**外置抽屉 Standard drawer**

NL: 标称长度 Nominal length  
SKL: 抽屉长度 Length of drawer  
LT: 最小柜深 Min cabinet depth



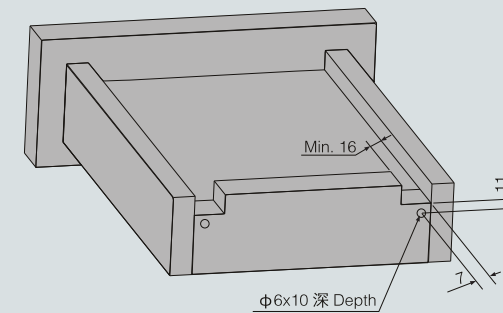
**内置抽屉 Inner drawer**

NL: 标称长度 Nominal length  
SKL: 抽屉长度 Length of drawer  
LT: 最小柜深 Min cabinet depth  
X: 面板厚度 Thickness of the front panel (用户自定义)



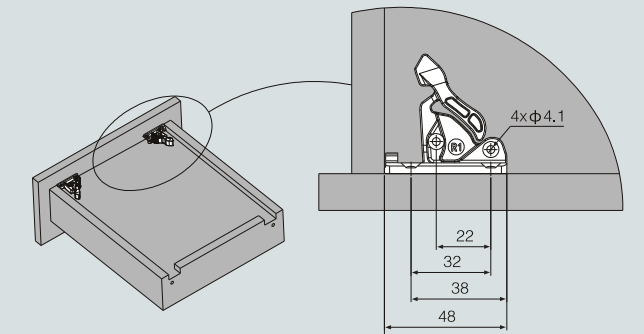
**抽屉后板开槽钻孔尺寸 Hole size on rear panel of the drawer**

Min: 最小尺寸

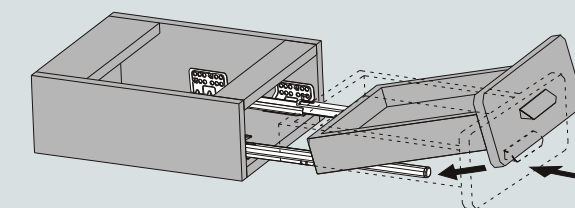


**分离器安装 Installation of the locking device**

Min: 最小尺寸

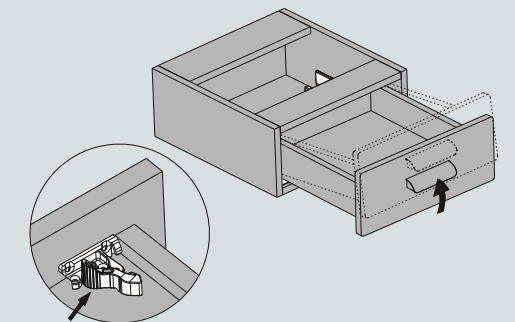


**抽屉安装 Installation of the drawer**



将滑轨全拉出, 把抽屉放置于滑轨上, 水平推入抽屉, 抽屉即可安装完毕。  
Fully open the slides and put the drawer on it, then push into cabinet horizontally, the drawer can be installed.

**抽屉拆卸 Removal of the drawer**



抽屉拆卸时, 双手轻压分离器, 见箭头方向, 即可拆卸。  
Hold the plastic gently according to the direction of the arrow when removing the drawer, then the drawer can be demounted easily.