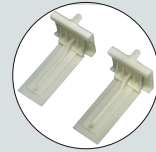
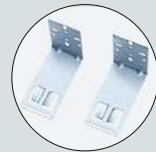


可选二方位调节分离器 2 directions locking device  
 美式四方位调节分离器 4 directions locking device

- 隐藏式、全拉出、静音式、美式
- 载重: 35kg
- 材料: 镀锌板
- 材料厚度(上、中、下)轨: 1.0x1.5x1.8mm
- 无需工具, 抽屉可快速安装与拆卸
- 三维调节, 高度调节0~3mm, 左右调节±2mm, 前后调节0~4mm
- Soft close concealed full extension slide
- Dynamic load capacity: 35kg
- Material: galvanized steel
- Material thickness: 1.0x1.5x1.8mm
- Tool-free quick installation
- 6-way adjustment, 0~3mm highly, ±2mm left and right, 0~4mm before and after

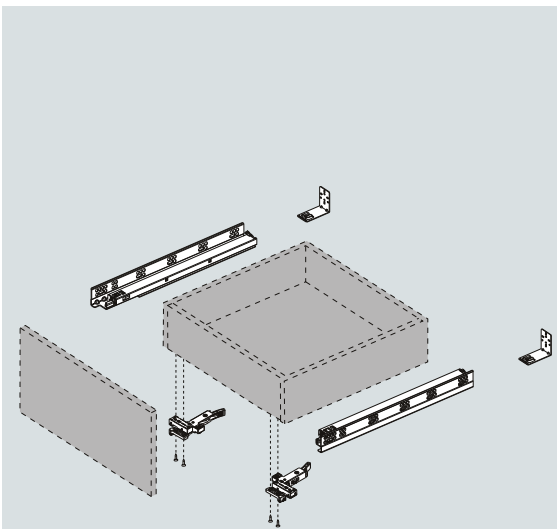
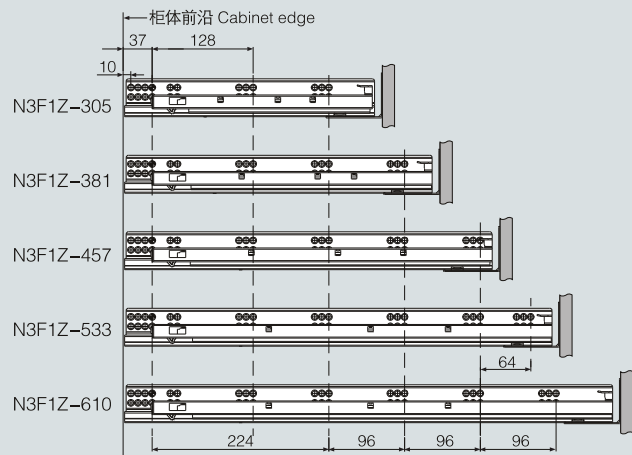


塑料后连接件  
 Plastic Rear Mounting Bracket



钢后连接件  
 Steel Rear Mounting Bracket

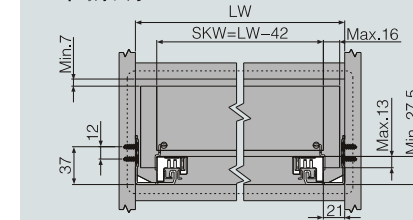
**柜体滑轨安装孔尺寸 Hole pattern**



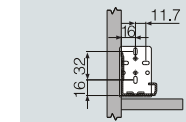
产品型号 Item No.	标称长度NL (mm) Nominal length	拉出长度 (mm) Travel length	最小柜深LT (mm) Min cabinet depth	最大柜深LT (mm) Max cabinet depth	包装(套/箱) Packing (Set/Box)
N3F1Z-305	305	292	324	360	10
N3F1Z-381	381	368	400	436	10
N3F1Z-457	457	444	476	512	10
N3F1Z-533	533	520	552	588	10
N3F1Z-610	610	597	629	665	10

**柜体所需空间 Space required**

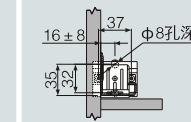
SKW: 抽屉净宽 Drawer width  
 LW: 柜体净宽 Inside net width  
 Max.: 最大尺寸  
 Min.: 最小尺寸



钢后连接件  
 Steel rear mounting bracket

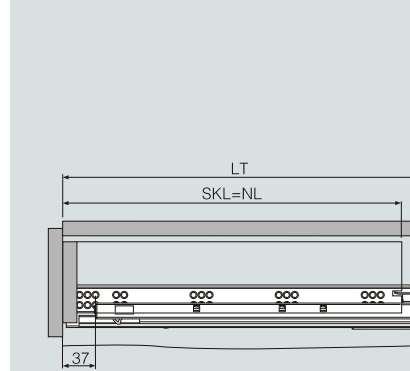


塑料后连接件  
 Plastic rear mounting bracket



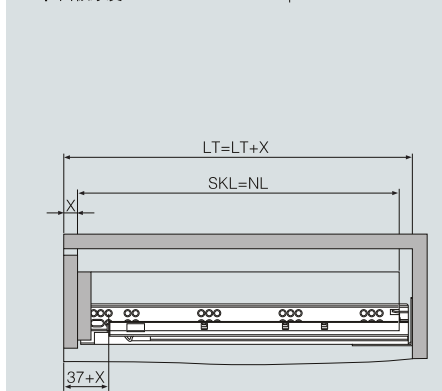
**外置抽屉 Standard drawer**

NL: 标称长度 Nominal length  
 SKL: 抽屉长度 Length of drawer  
 LT: 最小柜深 Min cabinet depth



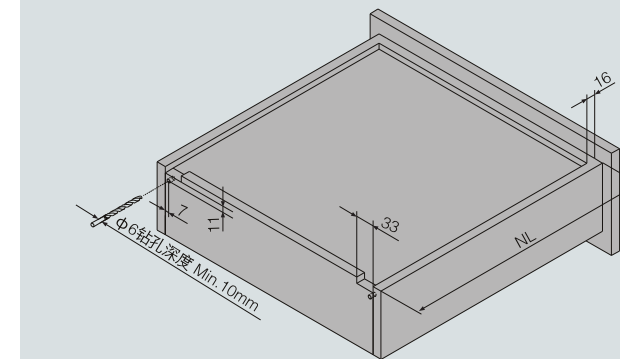
**内置抽屉 Inner drawer**

NL: 标称长度 Nominal length  
 SKL: 抽屉长度 Length of drawer  
 LT: 最小柜深 Min cabinet depth  
 X: 面板厚度 Thickness of the front panel

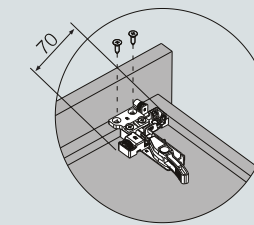


**抽屉后板开槽打孔尺寸 Hole size on rear panel of the drawer**

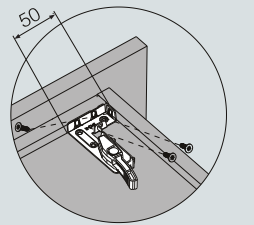
NL: 标称长度 Nominal length  
 Min.: 最小尺寸



**分离器安装 Installation of the locking device**



美式四方位调节分离器  
 4 directions locking device

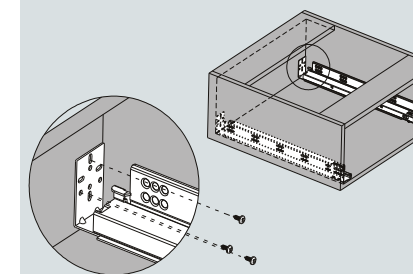


二方位调节分离器  
 2 directions locking device

可选配美式四方位调节分离器或二方位调节分离器  
 4 directions locking device or 2 directions locking device

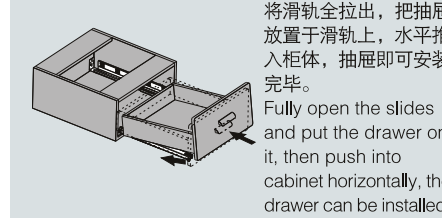
**装卸调试步骤说明 Installation instruction**

**滑轨安装 Installation of the slides**



1. 尾板根据柜体深来调节距离;  
 Adjust the rear mounting bracket according to the cabinet length;
2. 先调节好尾板后再用M4x12mm螺丝锁紧  
 Adjust the rear mounting bracket and then fasten it with M4x12mm screws.

**抽屉安装与调节 Installation of the drawer and adjustment**

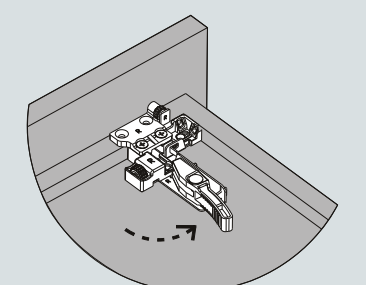


将滑轨全拉出, 把抽屉放置于滑轨上, 水平推入柜体, 抽屉即可安装完毕。  
 Fully open the slides and put the drawer on it, then push into cabinet horizontally, the drawer can be installed.

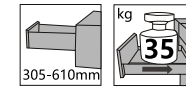


抽屉可通过调节块来调节高度2mm  
 The drawer can be adjusted 2mm vertically through the plastic adjustable parts

**抽屉拆卸 Removal of the drawer**



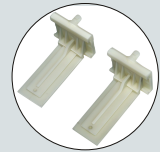
抽屉拆卸时, 双手轻压分离器, 见箭头方向, 即可拆卸。  
 Hold the plastic gently according to the direction of the arrow when removing the drawer, then the drawer can be demounted easily.



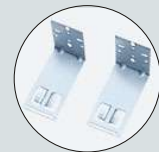
可选二方位调节分离器  
2 directions locking device

美式四方位调节分离器  
4 directions locking device

- 隐藏式、全拉出、静音式、美式
- 载重: 35kg
- 材料: 镀锌板
- 材料厚度(上、中、下)轨: 1.0x1.5x1.8mm
- 无需工具, 抽屉可快速安装与拆卸
- 三维调节, 高度调节0~3mm, 左右调节±2mm, 前后调节0~4mm
- Soft close concealed full extension slide
- Dynamic load capacity: 35kg
- Material: galvanized steel
- Material thickness: 1.0x1.5x1.8mm
- Tool-free quick installation
- 6-way adjustment, 0~3mm highly, ±2mm left and right, 0~4mm before and after

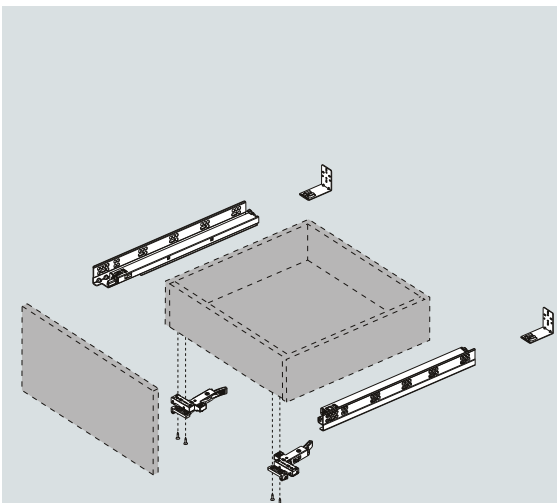
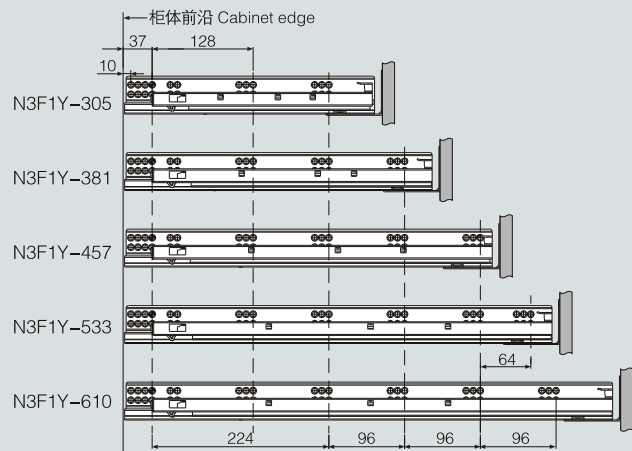


塑料后连接件  
Plastic Rear Mounting Bracket



钢后连接件  
Steel Rear Mounting Bracket

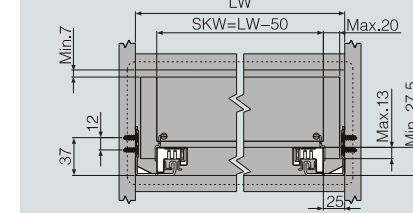
**柜体滑轨安装孔尺寸 Hole pattern**



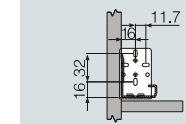
产品型号 Item No.	标称长度NL (mm) Nominal length	拉出长度 (mm) Travel length	最小柜深LT (mm) Min cabinet depth	最大柜深LT (mm) Max cabinet depth	包装(套/箱) Packing (Set/Box)
N3F1Y-305	305	292	324	360	10
N3F1Y-381	381	368	400	436	10
N3F1Y-457	457	444	476	512	10
N3F1Y-533	533	520	552	588	10
N3F1Y-610	610	597	629	665	10

**柜体所需空间 Space required**

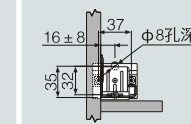
SKW: 抽屉净宽 Drawer width  
 LW: 柜体净宽 Inside net width  
 Max.: 最大尺寸  
 Min.: 最小尺寸



钢后连接件  
Steel rear mounting bracket

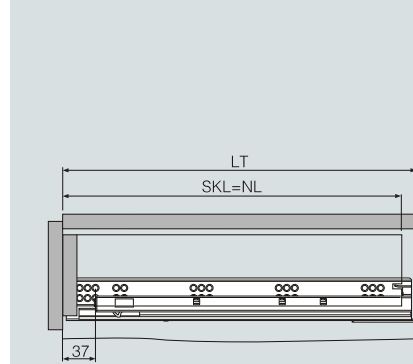


塑料后连接件  
Plastic rear mounting bracket



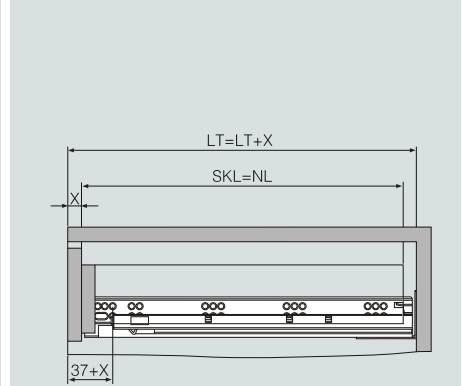
**外置抽屉 Standard drawer**

NL: 标称长度 Nominal length  
 SKL: 抽屉长度 Length of drawer  
 LT: 最小柜深 Min cabinet depth



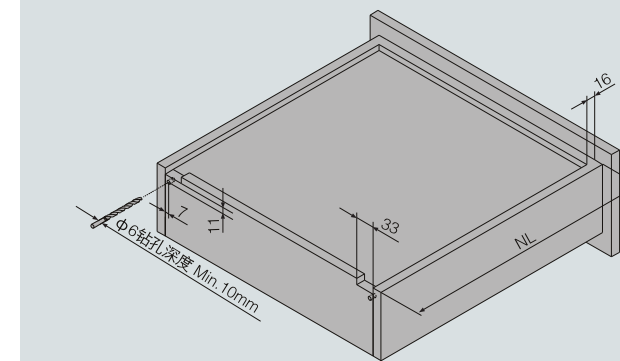
**内置抽屉 Inner drawer**

NL: 标称长度 Nominal length  
 SKL: 抽屉长度 Length of drawer  
 LT: 最小柜深 Min cabinet depth  
 X: 面板厚度 Thickness of the front panel

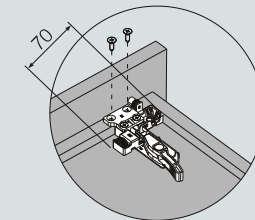


**抽屉后板开槽打孔尺寸 Hole size on rear panel of the drawer**

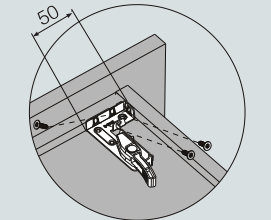
NL: 标称长度 Nominal length  
 Min.: 最小尺寸



**分离器安装 Installation of the locking device**



美式四方位调节分离器  
4 directions locking device

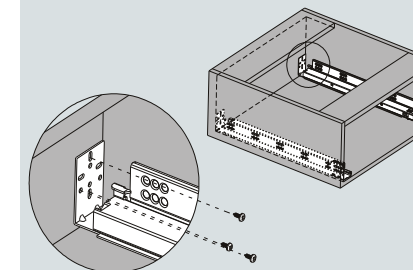


二方位调节分离器  
2 directions locking device

可选配美式四方位调节分离器或二方位调节分离器  
4 directions locking device or 2 directions locking device

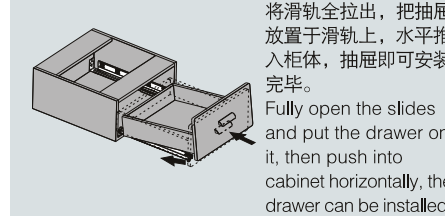
**装卸调试步骤说明 Installation instruction**

**滑轨安装 Installation of the slides**



1. 尾板根据柜体深来调节距离;  
Adjust the rear mounting bracket according to the cabinet length;
2. 先调节好尾板后再用M4x12mm螺丝锁紧  
Adjust the rear mounting bracket and then fasten it with M4x12mm screws.

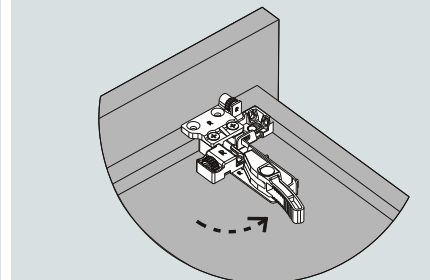
**抽屉安装与调节 Installation of the drawer and adjustment**



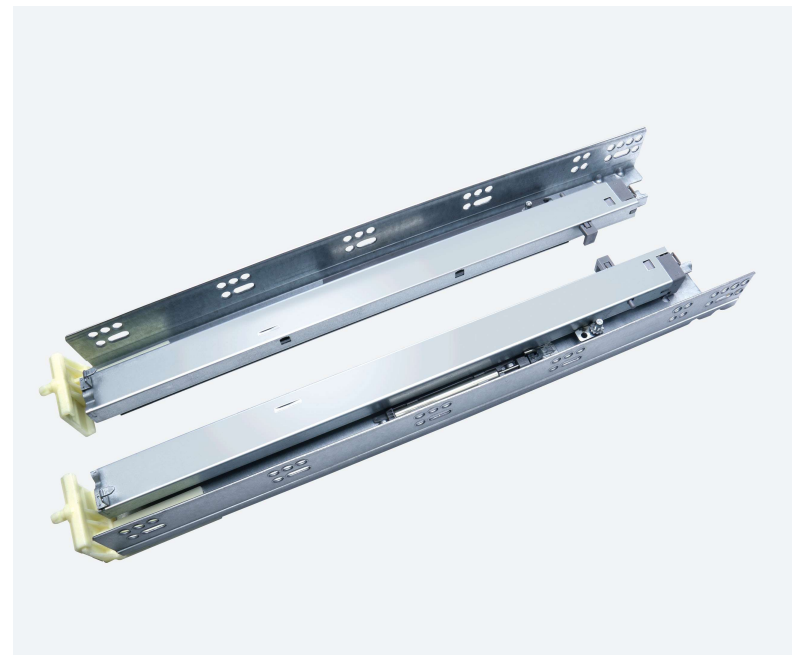
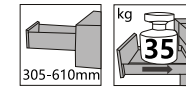
将滑轨全拉出, 把抽屉放置于滑轨上, 水平推入柜体, 抽屉即可安装完毕。  
Fully open the slides and put the drawer on it, then push into cabinet horizontally, the drawer can be installed.

抽屉可通过调节块来调节高度2mm  
The drawer can be adjusted 2mm vertically through the plastic adjustable parts

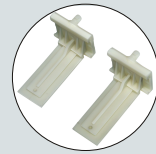
**抽屉拆卸 Removal of the drawer**



抽屉拆卸时, 双手轻压分离器, 见箭头方向, 即可拆卸。  
Hold the plastic gently according to the direction of the arrow when removing the drawer, then the drawer can be demounted easily.



- 隐藏式、全拉出、静音式、美式
- 载重: 35kg
- 材料: 镀锌板
- 材料厚度(上、中、下)轨: 1.0x1.5x1.8mm
- 无需工具, 抽屉可快速安装与拆卸
- 抽屉高度可调节0-4mm
- Soft close concealed full extension slide
- Dynamic load capacity: 35kg
- Material: galvanized steel
- Material thickness: 1.0x1.5x1.8mm
- Tool-free quick installation
- Drawer height adjustable for 0-4mm

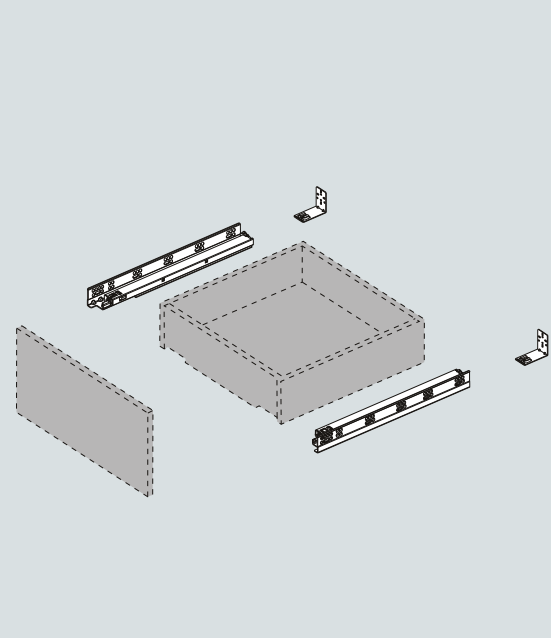
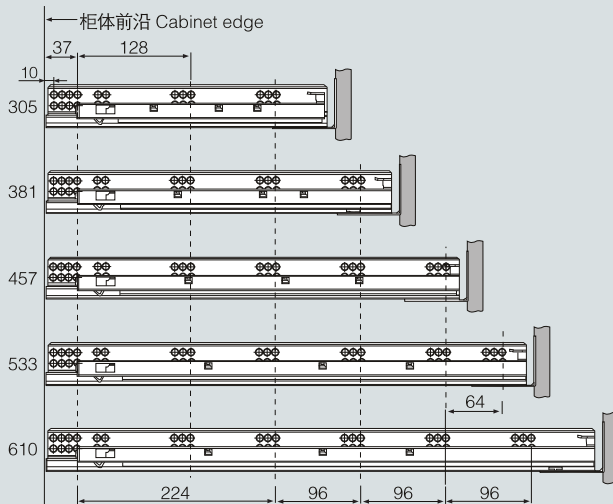


塑料后连接件  
Plastic Rear Mounting Bracket

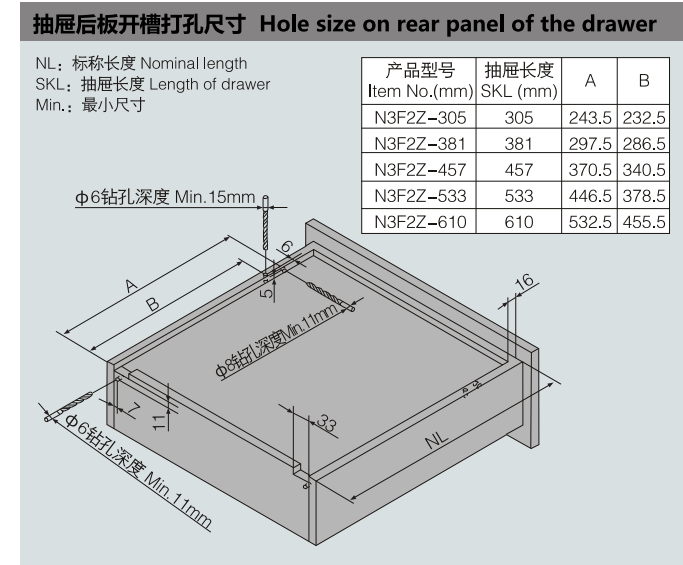
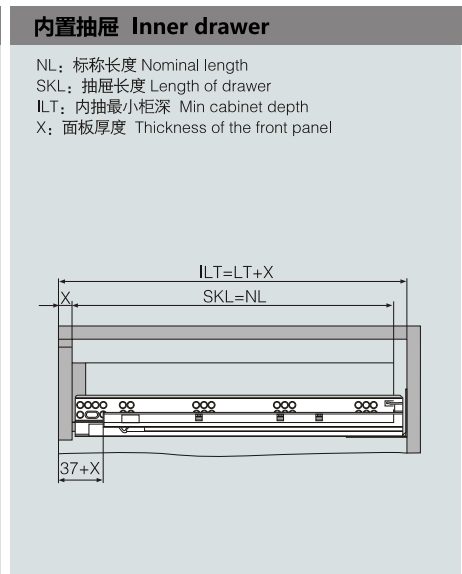
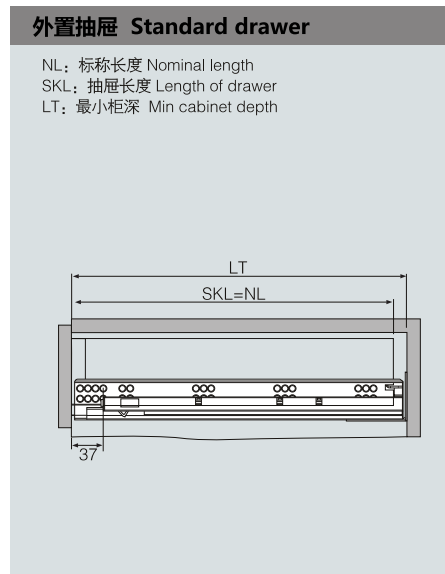
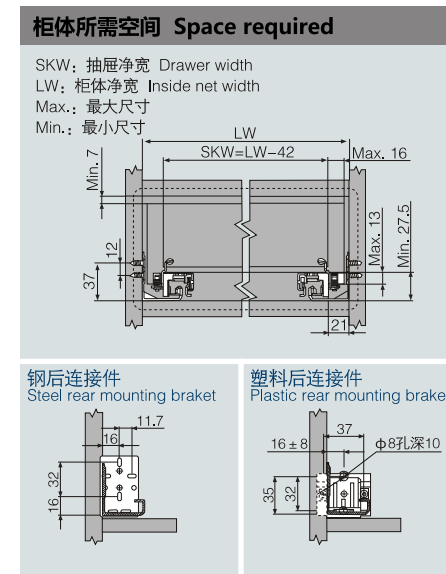


钢后连接件  
Steel Rear Mounting Bracket

**柜体滑轨安装孔尺寸 Hole pattern**



产品型号 Item No.	标称长度NL (mm) Nominal length	拉出长度 (mm) Travel length	最小柜深LT (mm) Min cabinet depth	最大柜深LT (mm) Max cabinet depth	包装(套/箱) Packing (Set/Box)
N3F2Z-305	305	292	324	360	10
N3F2Z-381	381	368	400	436	10
N3F2Z-457	457	444	476	512	10
N3F2Z-533	533	520	552	588	10
N3F2Z-610	610	597	629	665	10



**装卸调试步骤说明 Installation instruction**

**滑轨安装 Installation of the slides**

- 尾板根据柜体深来调节距离;  
Adjust the rear mounting bracket according to the cabinet depth;
- 先调节好尾板后再用M4x12mm螺丝锁紧  
Adjust the rear mounting bracket then fasten it with M4x12mm screws.

**抽屉安装与调节 Installation of the drawer and adjustment**

可通过调节轮调节抽屉高度0-4mm  
Drawer height adjustable for 0-4mm by adjustable screw.

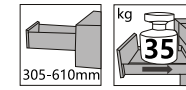
锁定 Lock

将滑轨全拉出, 插销解锁后或留意下插销是否处于解锁状态, 把抽屉与滑轨上的定位块对准放下, 然后将插销锁定, 再将抽屉水平推入柜体, 抽屉即可关闭  
Fully extending the slides, make sure the lock in the unlocked station, lay the drawer onto the slides, then lock by the lock pin then close the drawer.

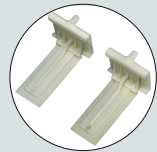
**抽屉拆卸 Removal of the drawer**

解锁 Unlock

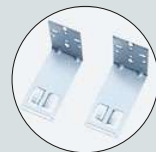
将抽屉全拉出, 侧插销解锁后, 抽屉按箭头方向向上提, 即可拆卸。  
Fully pull out the drawer, unlock by the lock pin, lift drawer according to the direction of the arrow, the drawer can be demounted easily.



- 隐藏式、全拉出、静音式、美式
- 载重: 35kg
- 材料: 镀锌板
- 材料厚度(上、中、下)轨: 1.0x1.5x1.8mm
- 无需工具, 抽屉可快速安装与拆卸
- 抽屉高度可调节0-4mm
- Soft close concealed full extension slide
- Dynamic load capacity: 35kg
- Material: galvanized steel
- Material thickness: 1.0x1.5x1.8mm
- Tool-free quick installation
- Drawer height adjustable for 0-4mm

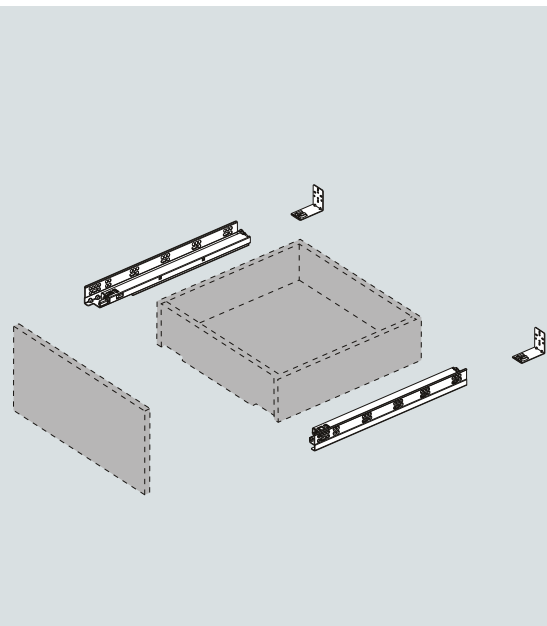
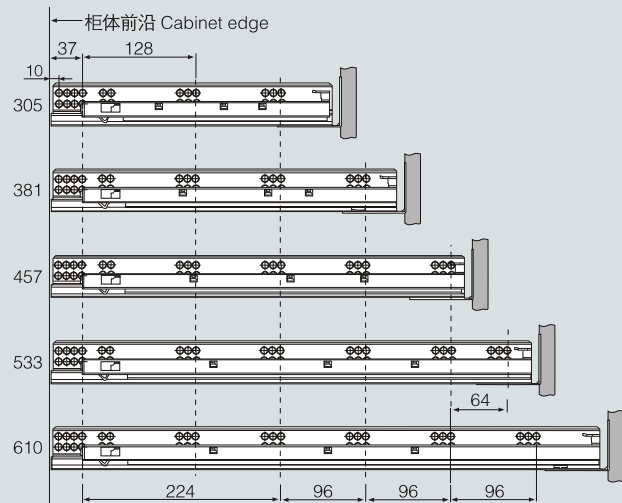


塑料后连接件  
Plastic Rear Mounting Bracket



钢后连接件  
Steel Rear Mounting Bracket

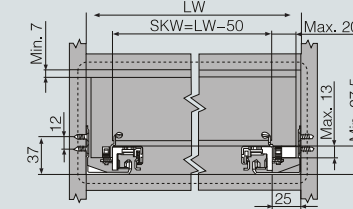
**柜体滑轨安装孔尺寸 Hole pattern**



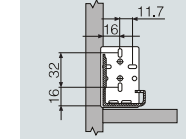
产品型号 Item No.	标称长度NL (mm) Nominal length	拉出长度 (mm) Travel length	最小柜深LT (mm) Min cabinet depth	最大柜深LT (mm) Max cabinet depth	包装(套/箱) Packing (Set/Box)
N3F2Y-305	305	292	324	360	10
N3F2Y-381	381	368	400	436	10
N3F2Y-457	457	444	476	512	10
N3F2Y-533	533	520	552	588	10
N3F2Y-610	610	597	629	665	10

**柜体所需空间 Space required**

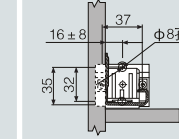
SKW: 抽屉净宽 Drawer width  
 LW: 柜体净宽 Inside net width  
 Max.: 最大尺寸  
 Min.: 最小尺寸



钢后连接件  
Steel rear mounting bracket

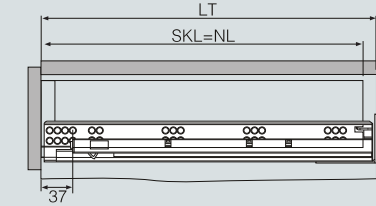


塑料后连接件  
Plastic rear mounting bracket



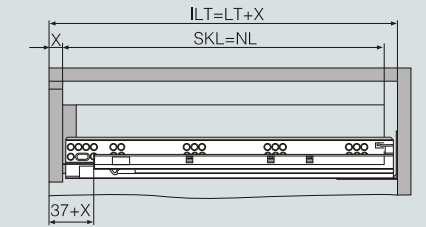
**外置抽屉 Standard drawer**

NL: 标称长度 Nominal length  
 SKL: 抽屉长度 Length of drawer  
 LT: 最小柜深 Min cabinet depth



**内置抽屉 Inner drawer**

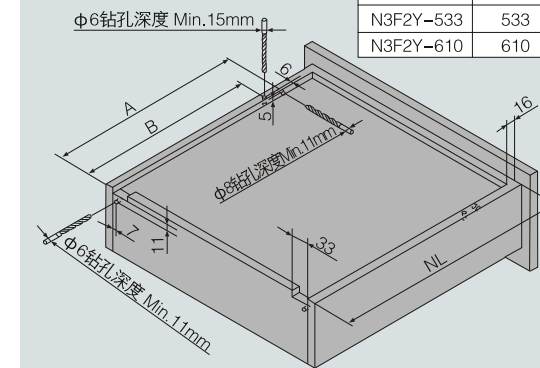
NL: 标称长度 Nominal length  
 SKL: 抽屉长度 Length of drawer  
 ILT: 内抽最小柜深 Min cabinet depth  
 X: 面板厚度 Thickness of the front panel



**抽屉后背开槽打孔尺寸 Hole size on rear panel of the drawer**

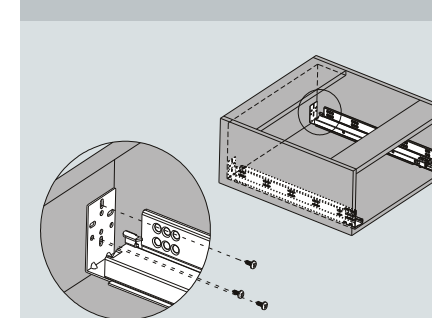
NL: 标称长度 Nominal length  
 SKL: 抽屉长度 Length of drawer  
 Min.: 最小尺寸

产品型号 Item No.(mm)	抽屉长度 SKL (mm)	A	B
N3F2Y-305	305	243.5	232.5
N3F2Y-381	381	297.5	286.5
N3F2Y-457	457	370.5	340.5
N3F2Y-533	533	446.5	378.5
N3F2Y-610	610	532.5	455.5



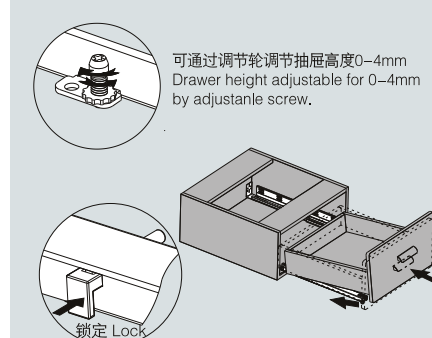
**装卸调试步骤说明 Installation instruction**

**滑轨安装 Installation of the slides**



- 尾板根据柜体深来调节距离:  
Adjust the rear mounting bracket according to the cabinet depth;
- 先调整好尾板后再用M4x12mm螺丝锁紧  
Adjust the rear mounting bracket then fasten it with M4x12mm screws.

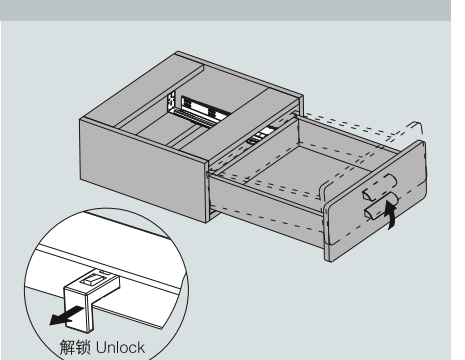
**抽屉安装与调节 Installation of the drawer and adjustment**



1. 可通过调节轮调节抽屉高度0-4mm  
Drawer height adjustable for 0-4mm by adjustable screw.

将滑轨全拉出, 插销解锁后(或留意下插销是否处于解锁状态), 把抽屉与滑轨上的定位块对准放下, 然后将插销锁定, 再将抽屉水平推入柜体, 抽屉即可关闭  
Fully extending the slides, make sure the lock in the unlocked station, lay the drawer onto the slides, then lock by the lock pin then close the drawer.

**抽屉拆卸 Removal of the drawer**



将抽屉全拉出, 侧插销解锁后, 抽屉按箭头方向向上提, 即可拆卸。  
Fully pull out the drawer, unlock by the lock pin, lift drawer according to the direction of the arrow, the drawer can be demounted easily.