

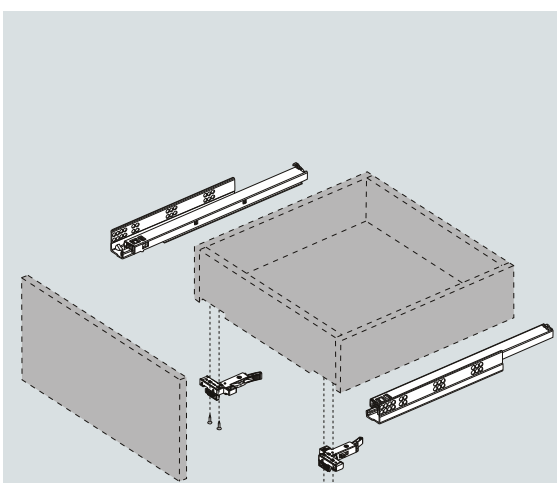
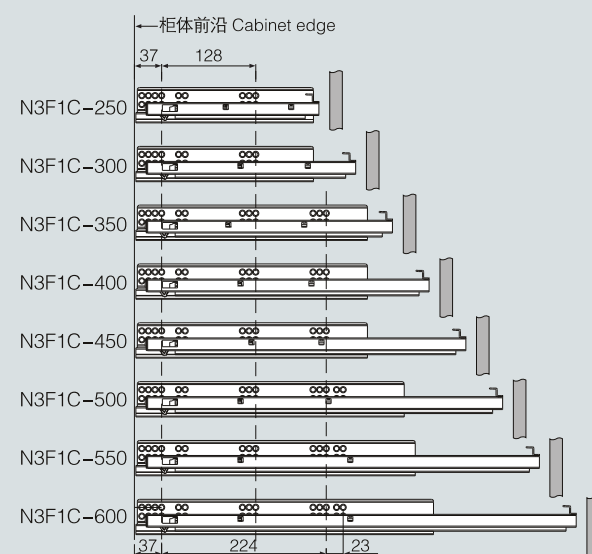


可选二方位调节分离器
2 directions locking device

四方位调节分离器
4 directions locking device

- 隐藏式、全拉出、静音式
- 载重: 35kg
- 材料: 镀锌板
- 材料厚度(上、中、下)轨: 1.0x1.5x1.8mm
- 无需工具, 抽屉可快速安装与拆卸
- 静音系统, 滑轨运动顺畅
- 三维调节, 高度调节0~3mm, 左右调节±2mm, 前后调节0~4mm
- 缓冲功能 平缓关闭
- Concealed, full extension, quiet movement
- Dynamic load capacity: 35kg
- Material: galvanized steel
- Material thickness: 1.0x1.5x1.8mm
- Tool-free quick installation
- Quiet system guarantees the slides run smoothly without noise
- 6-way adjustment, 0~3mm highly, ±2mm left and right, 0~4mm before and after
- Soft-closing function make the drawer close safely without effect of weight

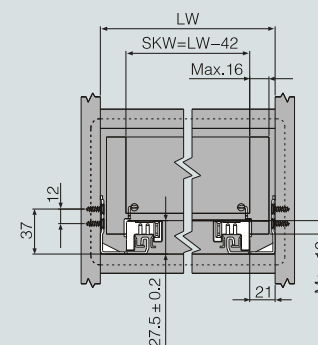
柜体滑轨安装孔尺寸 Hole pattern



产品型号 Item No.	标称长度NL (mm) Nominal length	拉出长度 (mm) Travel length	最小柜深LT (mm) (外抽 / 内抽) Min cabinet depth (Standard / Inner)	包装(套/箱) Packing (Set/Box)
N3F1C-250	250	229	260 / 260+X	10
N3F1C-300	300	279	310 / 310+X	10
N3F1C-350	350	329	360 / 360+X	10
N3F1C-400	400	379	410 / 410+X	10
N3F1C-450	450	429	460 / 460+X	10
N3F1C-500	500	479	510 / 510+X	10
N3F1C-550	550	529	560 / 560+X	10
N3F1C-600	600	579	610 / 610+X	10

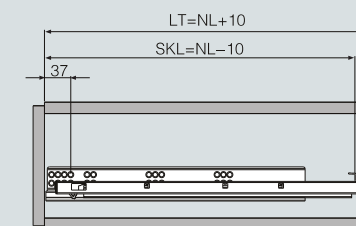
柜体所需空间 Space required

SKW: 抽屉净宽 Drawer width
 LW: 柜体净宽 Inside net width
 Max.: 最大尺寸



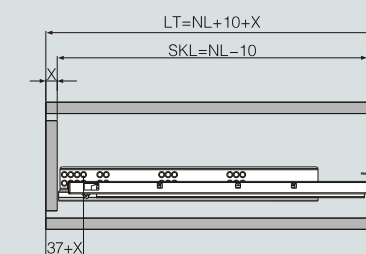
外置抽屉 Standard drawer

NL: 标称长度 Nominal length
 SKL: 抽屉长度 Length of drawer
 LT: 最小柜深 Min cabinet depth



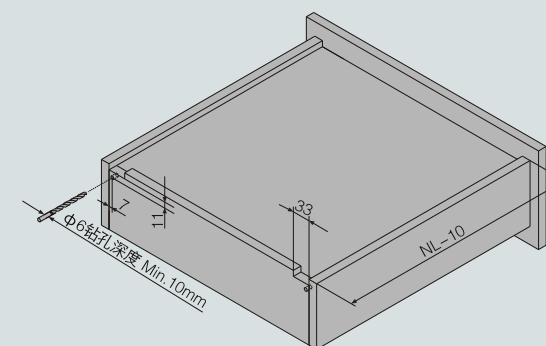
内置抽屉 Inner drawer

NL: 标称长度 Nominal length
 SKL: 抽屉长度 Length of drawer
 LT: 最小柜深 Min cabinet depth
 X: 面板厚度 Thickness of the front panel

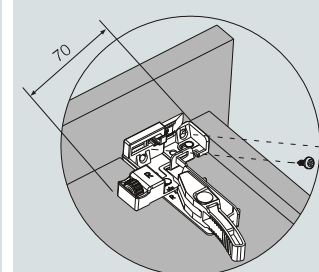


抽屉后板开槽打孔尺寸 Hole size on rear panel of the drawer

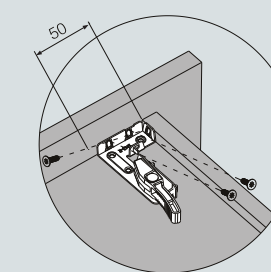
NL: 标称长度 Nominal length
 Min.: 最小尺寸



分离器安装 Installation of the locking device



四方位调节分离器
4 directions locking device

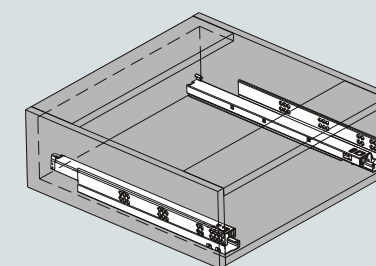


二方位调节分离器
2 directions locking device

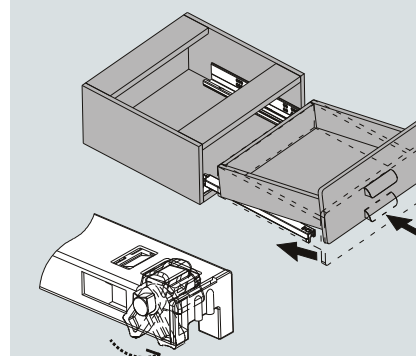
可选配四方位调节分离器或二方位调节分离器
4 directions locking device or 2 directions locking device

装卸调试步骤说明 Installation instruction

滑轨安装 Installation of the slides

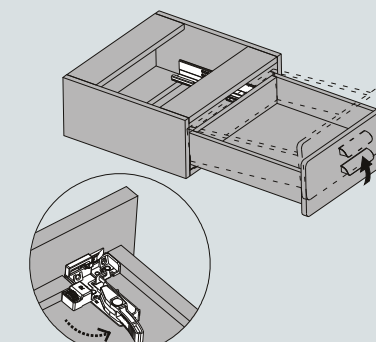


抽屉安装与调节 Installation of the drawer and adjustment



抽屉可通过调节块来调节高度2mm
 The drawer can be adjusted 2mm vertically through the plastic adjustable parts

抽屉拆卸 Removal of the drawer



双手轻压分离器, 见箭头方向, 即可拆卸
 Press the locking device with your hands softly in the direction of the arrow, then remove the drawer

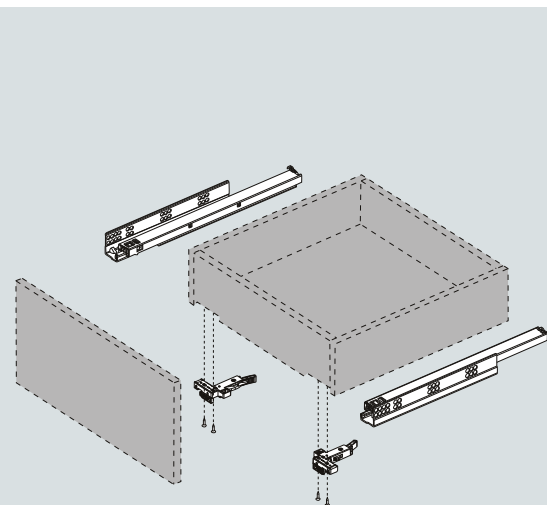
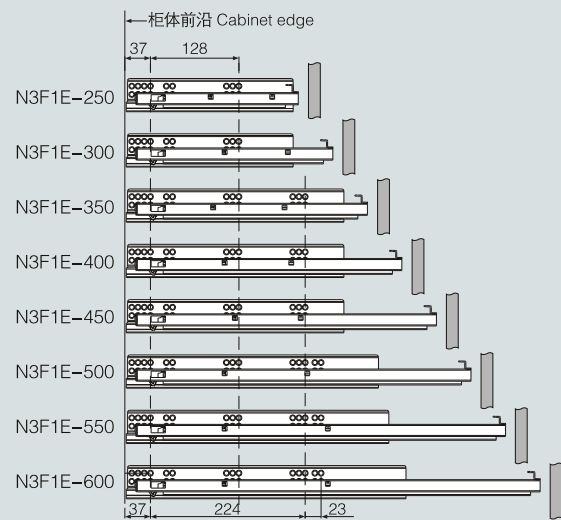


可选二方位调节分离器
2 directions locking device

四方位调节分离器
4 directions locking device

- 隐藏式、全拉出、静音式
- 载重: 35kg
- 材料: 镀锌板
- 材料厚度(上、中、下)轨: 1.0x1.5x1.8mm
- 无需工具, 抽屉可快速安装与拆卸
- 静音系统, 滑轨运动顺畅
- 三维调节, 高度调节0~3mm, 左右调节±2mm, 前后调节0~4mm
- 缓冲功能 平缓关闭
- Concealed, full extension, quiet movement
- Dynamic load capacity: 35kg
- Material: galvanized steel
- Material thickness: 1.0x1.5x1.8mm
- Tool-free quick installation
- Quiet system guarantees the slides run smoothly without noise
- 6-way adjustment, 0~3mm highly, ±2mm left and right, 0~4mm before and after
- Soft-closing function make the drawer close safely without effect of weight

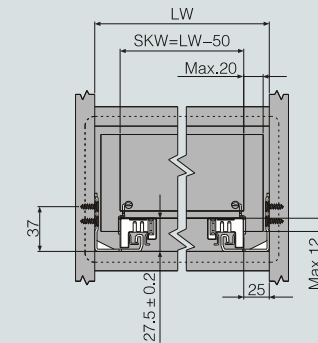
柜体滑轨安装孔尺寸 Hole pattern



产品型号 Item No.	标称长度NL (mm) Nominal length	拉出长度 (mm) Travel length	最小柜深LT (mm) (外抽 / 内抽) Min cabinet depth (Standard / Inner)	包装 (套/箱) Packing (Set/Box)
N3F1E-250	250	229	260 / 260+X	10
N3F1E-300	300	279	310 / 310+X	10
N3F1E-350	350	329	360 / 360+X	10
N3F1E-400	400	379	410 / 410+X	10
N3F1E-450	450	429	460 / 460+X	10
N3F1E-500	500	479	510 / 510+X	10
N3F1E-550	550	529	560 / 560+X	10
N3F1E-600	600	579	610 / 610+X	10

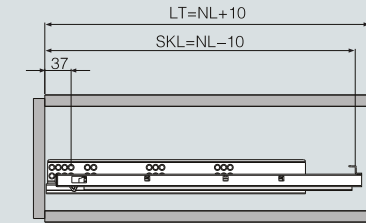
柜体所需空间 Space required

SKW: 抽屉净宽 Drawer width
 LW: 柜体净宽 Inside net width
 Max.: 最大尺寸



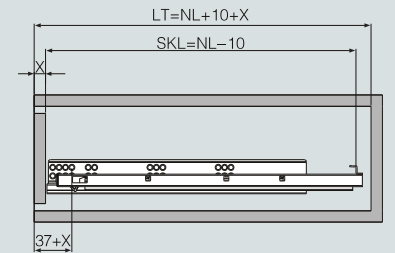
外置抽屉 Standard drawer

NL: 标称长度 Nominal length
 SKL: 抽屉长度 Length of drawer
 LT: 最小柜深 Min cabinet depth



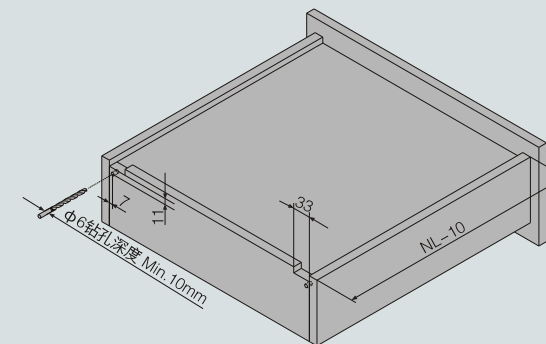
内置抽屉 Inner drawer

NL: 标称长度 Nominal length
 SKL: 抽屉长度 Length of drawer
 LT: 最小柜深 Min cabinet depth
 X: 面板厚度 Thickness of the front panel

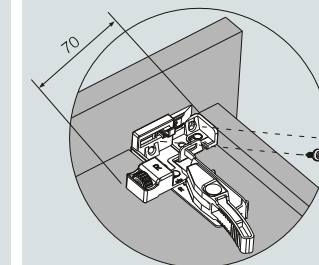


抽屉后板开槽打孔尺寸 Hole size on rear panel of the drawer

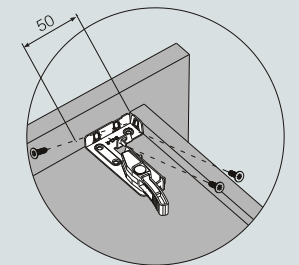
NL: 标称长度 Nominal length
 Min.: 最小尺寸



分离器安装 Installation of the locking device



四方位调节分离器
4 directions locking device

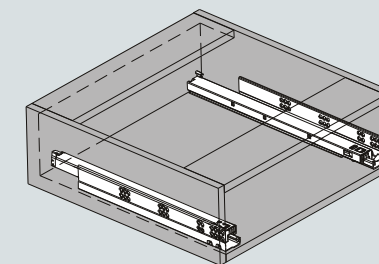


二方位调节分离器
2 directions locking device

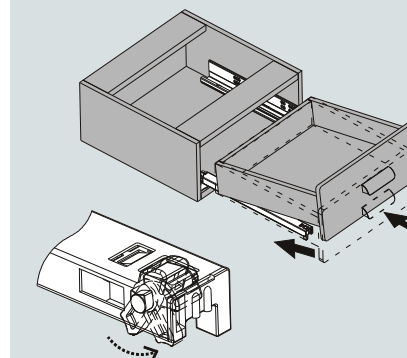
可选配四方位调节分离器或二方位调节分离器
4 directions locking device or 2 directions locking device

装卸调试步骤说明 Installation instruction

滑轨安装 Installation of the slides

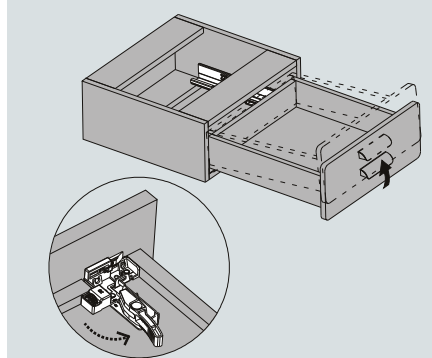


抽屉安装与调节 Installation of the drawer and adjustment

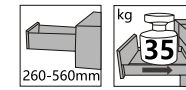


抽屉可通过调节块来调节高度2mm
 The drawer can be adjusted 2mm vertically through the plastic adjustable parts

抽屉拆卸 Removal of the drawer

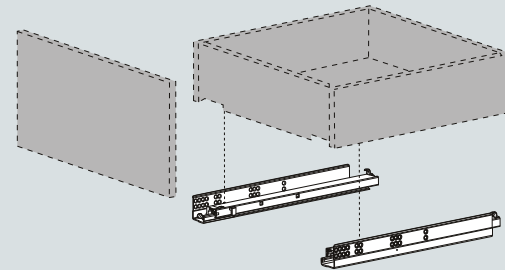
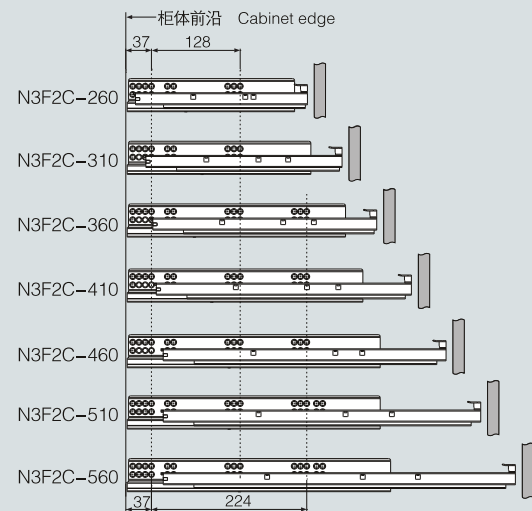


双手轻压分离器, 见箭头方向, 即可拆卸
 Press the locking device with your hands softly in the direction of the arrow, then remove the drawer



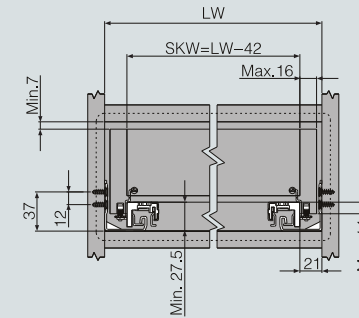
- 隐藏式、全拉出、静音式
 - 载重: 35kg
 - 材料: 镀锌板
 - 材料厚度(上、中、下)轨: 1.0x1.5x1.8mm
 - 无需工具, 抽屉可快速安装与拆卸
 - 静音系统, 滑轨运动顺畅
 - 抽屉高度可调节0-4mm
 - 缓冲功能 平缓关闭
- Concealed, full extension, quiet movement
 - Dynamic load capacity: 35kg
 - Material: galvanized steel
 - Material thickness: 1.0x1.5x1.8mm
 - Tool-free quick installation
 - Quiet system guarantees the slides run smoothly without noise
 - Drawer height adjustable for 0-4mm
 - Soft-closing function make the drawer close safely without effect of weight

柜体滑轨安装孔尺寸 Hole pattern



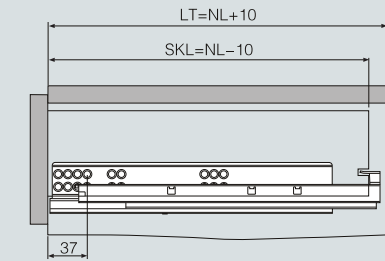
柜体所需空间 Space required

SKW: 抽屉净宽 Drawer width
 LW: 柜体净宽 Inside net width
 Max.: 最大尺寸
 Min.: 最小尺寸



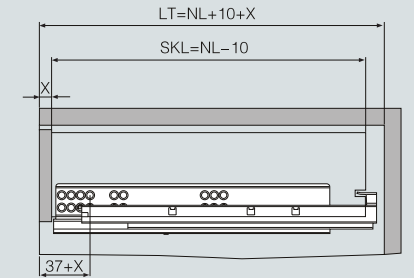
外置抽屉 Standard drawer

NL: 标称长度 Nominal length
 SKL: 抽屉长度 Length of drawer
 LT: 最小柜深 Min cabinet depth



内置抽屉 Inner drawer

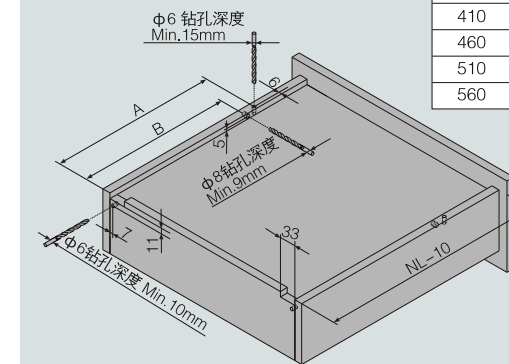
NL: 标称长度 Nominal length
 SKL: 抽屉长度 Length of drawer
 LT: 最小柜深 Min cabinet depth
 X: 面板厚度 Thickness of the front panel



抽屉后背开槽打孔尺寸 Hole size on rear panel of the drawer

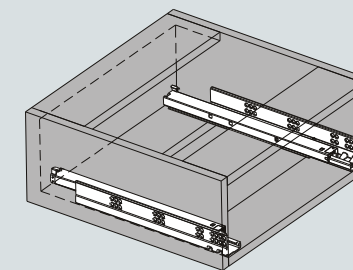
NL: 标称长度 Nominal length
 Min.: 最小尺寸

NL (mm)	A (mm)	B (mm)
260	205	185
310	230	242
360	275	287
410	300	344
460	335	379
510	360	436
560	405	481

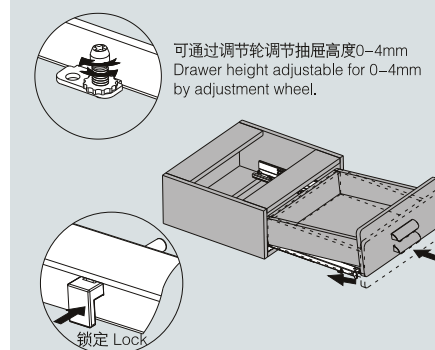


装卸调试步骤说明 Installation instruction

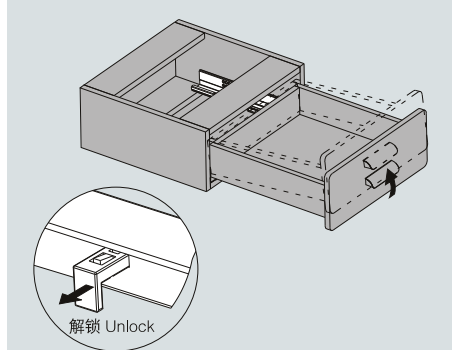
滑轨安装 Installation of the slides



抽屉安装与调节 Installation of the drawer and adjustment



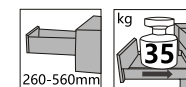
抽屉拆卸 Removal of the drawer



将滑轨全拉出, 插销解锁后(或留意下插销是否处于解锁状态), 把抽屉与滑轨上的定位块对准放下, 然后将插销锁定, 再将抽屉水平推入柜体, 抽屉即可关闭
 Fully open the slides, make sure the lock in the unlocked station, push the drawer down on the slides, then close the drawer.

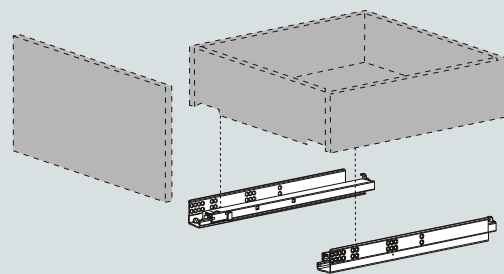
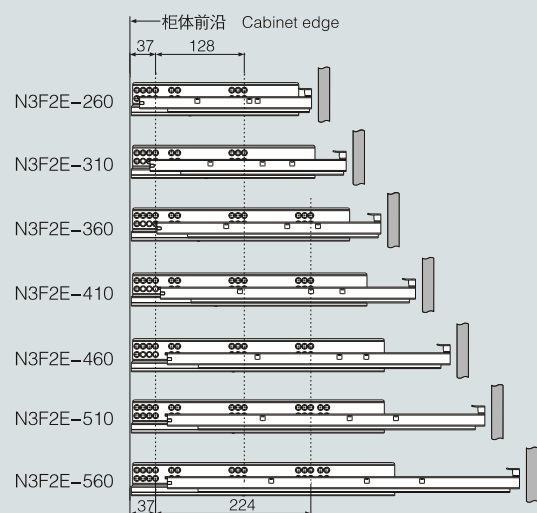
将抽屉全拉出, 侧插销解锁后, 抽屉按箭头方向向上提, 即可拆卸。
 Fully pull out the drawer, lift it according to the direction of the arrow, the drawer can be demounted easily.

产品型号 Item No.	标称长度NL (mm) Nominal length	拉出长度 (mm) Travel length	最小柜深LT (mm) (外抽 / 内抽) Min cabinet depth (Standard / Inner)	包装 (套/箱) Packing (Set/Box)
N3F2C-260	260	244	270 / 270+X	10
N3F2C-310	310	294	320 / 320+X	10
N3F2C-360	360	344	370 / 370+X	10
N3F2C-410	410	394	420 / 420+X	10
N3F2C-460	460	444	470 / 470+X	10
N3F2C-510	510	494	520 / 520+X	10
N3F2C-560	560	544	570 / 570+X	10



- 隐藏式、全拉出、静音式
 - 载重: 35kg
 - 材料: 镀锌板
 - 材料厚度(上、中、下)轨: 1.0x1.5x1.8mm
 - 无需工具, 抽屉可快速安装与拆卸
 - 静音系统, 滑轨运动顺畅
 - 抽屉高度可调节0-4mm
 - 缓冲功能 平缓关闭
-
- Concealed, full extension, quiet movement
 - Dynamic load capacity: 35kg
 - Material: galvanized steel
 - Material thickness: 1.0x1.5x1.8mm
 - Tool-free quick installation
 - Quiet system guarantees the slides run smoothly without noise
 - Drawer height adjustable for 0-4mm
 - Soft-closing function make the drawer close safely without effect of weight

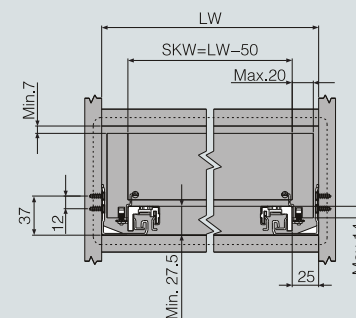
柜体滑轨安装孔尺寸 Hole pattern



产品型号 Item No.	标称长度NL (mm) Nominal length	拉出长度 (mm) Travel length	最小柜深LT (mm) (外抽 / 内抽) Min cabinet depth (Standard / Inner)	包装 (套/箱) Packing (Set/Box)
N3F2E-260	260	244	270 / 270+X	10
N3F2E-310	310	294	320 / 320+X	10
N3F2E-360	360	344	370 / 370+X	10
N3F2E-410	410	394	420 / 420+X	10
N3F2E-460	460	444	470 / 470+X	10
N3F2E-510	510	494	520 / 520+X	10
N3F2E-560	560	544	570 / 570+X	10

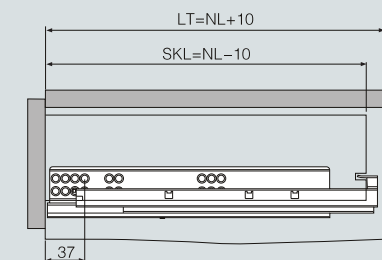
柜体所需空间 Space required

SKW: 抽屉净宽 Drawer width
 LW: 柜体净宽 Inside net width
 Max.: 最大尺寸
 Min.: 最小尺寸



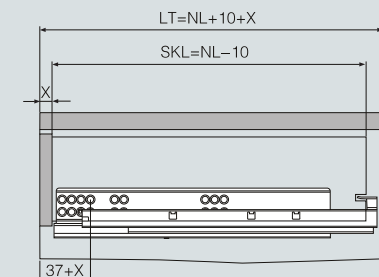
外置抽屉 Standard drawer

NL: 标称长度 Nominal length
 SKL: 抽屉长度 Length of drawer
 LT: 最小柜深 Min cabinet depth



内置抽屉 Inner drawer

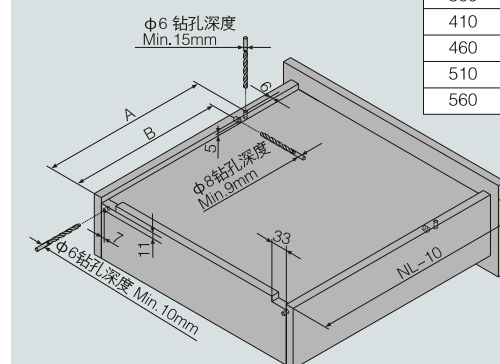
NL: 标称长度 Nominal length
 SKL: 抽屉长度 Length of drawer
 LT: 最小柜深 Min cabinet depth
 X: 面板厚度 Thickness of the front panel



抽屉后背开槽打孔尺寸 Hole size on rear panel of the drawer

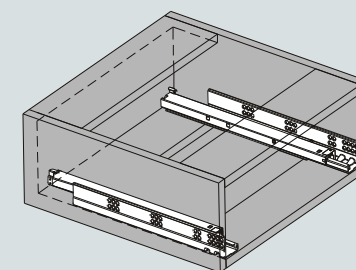
NL: 标称长度 Nominal length
 Min.: 最小尺寸

NL (mm)	A (mm)	B (mm)
260	205	185
310	230	242
360	275	287
410	300	344
460	335	379
510	360	436
560	405	481

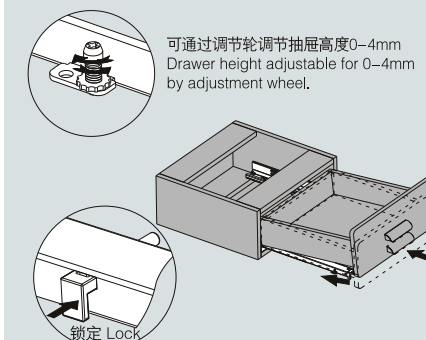


装卸调试步骤说明 Installation instruction

滑轨安装 Installation of the slides

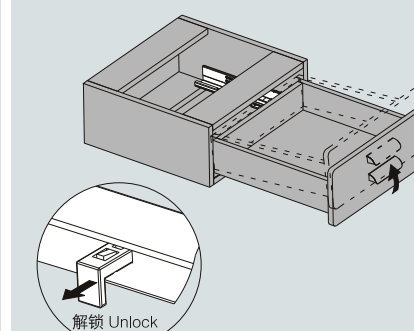


抽屉安装与调节 Installation of the drawer and adjustment

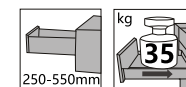


将滑轨全拉出, 插销解锁后(或留意下插销是否处于解锁状态), 把抽屉与滑轨上的定位块对准放下, 然后将插销锁定, 再将抽屉水平推入柜体, 抽屉即可关闭
 Fully open the slides, make sure the lock in the unlocked station, push the drawer down on the slides, then close the drawer.

抽屉拆卸 Removal of the drawer



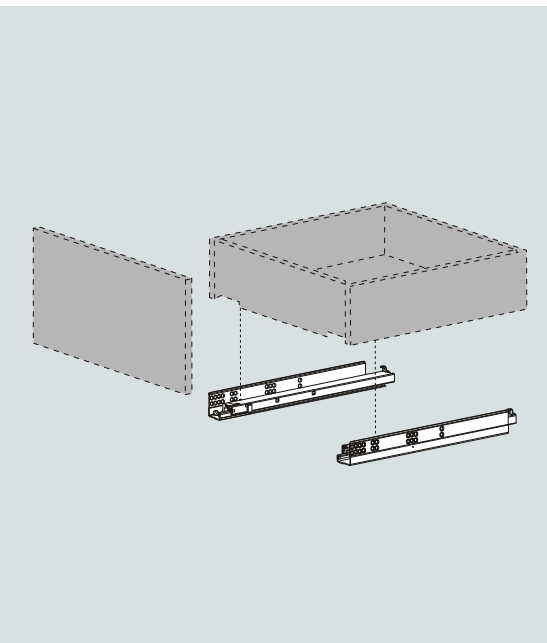
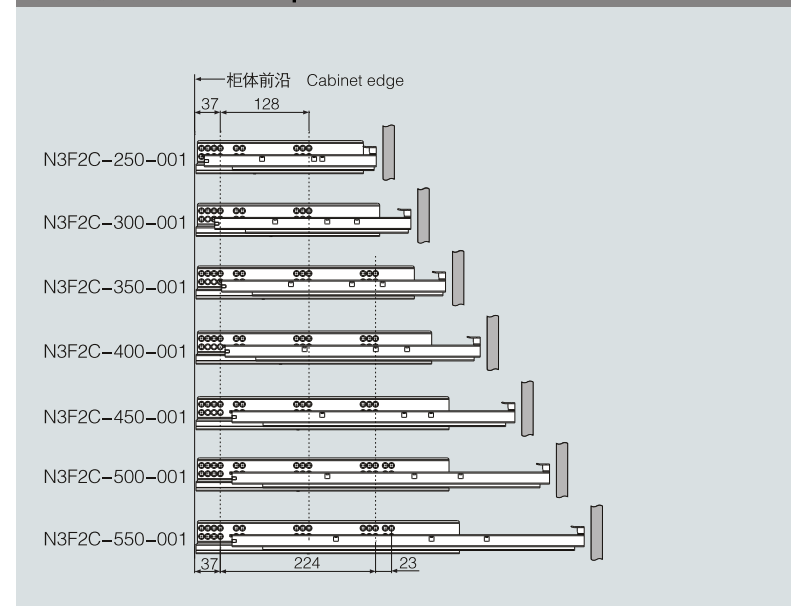
将抽屉全拉出, 侧插销解锁后, 抽屉按箭头方向向上提, 即可拆卸。
 Fully pull out the drawer, lift it according to the direction of the arrow, the drawer can be demounted easily.



- 隐藏式、全拉出、静音式
- 载重: 35kg
- 材料: 镀锌板
- 材料厚度(上、中、下)轨: 1.0x1.5x1.8mm
- 无需工具, 抽屉可快速安装与拆卸
- 静音系统, 滑轨运动顺畅
- 抽屉高度可调节0-4mm
- 缓冲功能 平缓关闭

- Concealed, full extension, quiet movement
- Dynamic load capacity: 35kg
- Material: galvanized steel
- Material thickness: 1.0x1.5x1.8mm
- Tool-free quick installation
- Quiet system guarantees the slides run smoothly without noise
- Drawer height adjustable for 0-4mm
- Soft-closing function make the drawer close safely without effect of weight

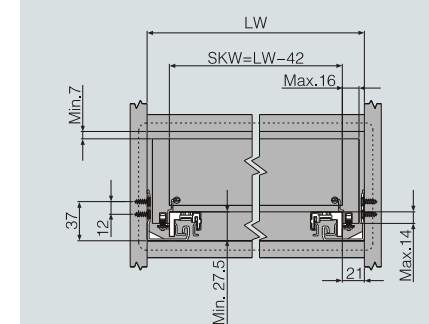
柜体滑轨安装孔尺寸 Hole pattern



产品型号 Item No.	标称长度NL (mm) Nominal length	拉出长度 (mm) Travel length	最小柜深LT (mm) (外抽 / 内抽) Min cabinet depth (Standard / Inner)	包装 (套/箱) Packing (Set/Box)
N3F2C-250-001	250	229	260 / 260+X	10
N3F2C-300-001	300	279	310 / 310+X	10
N3F2C-350-001	350	329	360 / 360+X	10
N3F2C-400-001	400	379	410 / 410+X	10
N3F2C-450-001	450	429	460 / 460+X	10
N3F2C-500-001	500	479	510 / 510+X	10
N3F2C-550-001	550	529	560 / 560+X	10

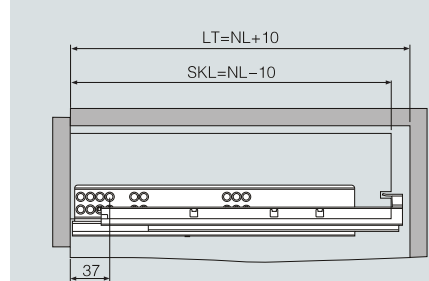
柜体所需空间 Space required

SKW: 抽屉净宽 Drawer width
 LW: 柜体净宽 Inside net width
 Max.: 最大尺寸
 Min.: 最小尺寸



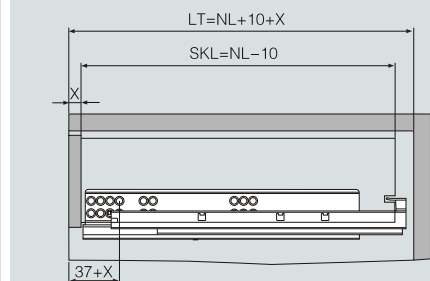
外置抽屉 Standard drawer

NL: 标称长度 Nominal length
 SKL: 抽屉长度 Length of drawer
 LT: 最小柜深 Min cabinet depth



内置抽屉 Inner drawer

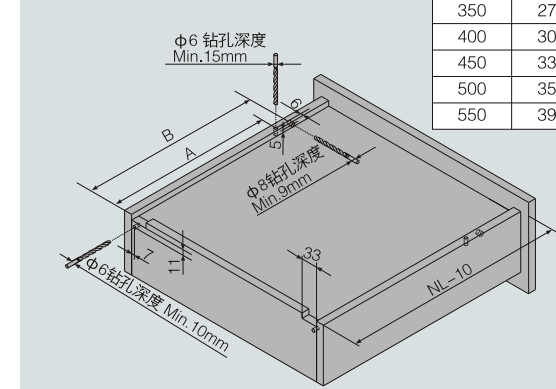
NL: 标称长度 Nominal length
 SKL: 抽屉长度 Length of drawer
 LT: 最小柜深 Min cabinet depth
 X: 面板厚度 Thickness of the front panel



抽屉后板开槽打孔尺寸 Hole size on rear panel of the drawer

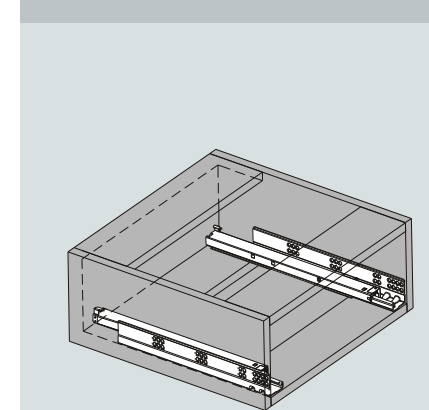
NL: 标称长度 Nominal length
 Min.: 最小尺寸

NL (mm)	A (mm)	B (mm)
250	190	200.5
300	245	255.5
350	270	280.5
400	305	319.5
450	330	369.5
500	355	419.5
550	390	469.5



装卸调试步骤说明 Installation instruction

滑轨安装 Installation of the slides



抽屉安装与调节 Installation of the drawer and adjustment

可通过调节轮调节抽屉高度0-4mm
 Drawer height adjustable for 0-4mm by adjustment wheel.

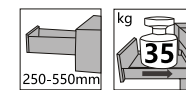
锁定 Lock

将滑轨全拉出, 插销解锁后(或留意下插销是否处于解锁状态), 把抽屉与滑轨上的定位块对准放下, 然后将插销锁定, 再将抽屉水平推入柜体, 抽屉即可关闭
 Fully open the slides, make sure the lock in the unlocked station, push the drawer down on the slides, then close the drawer.

抽屉拆卸 Removal of the drawer

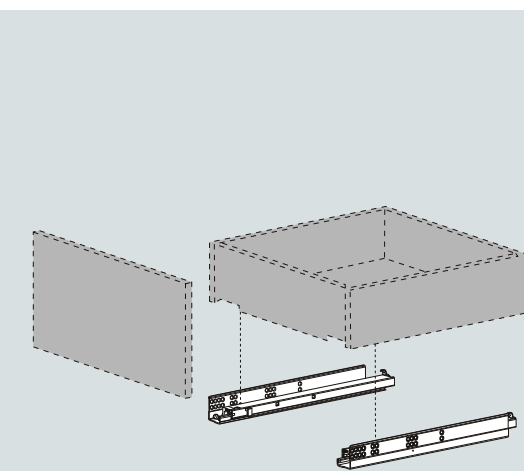
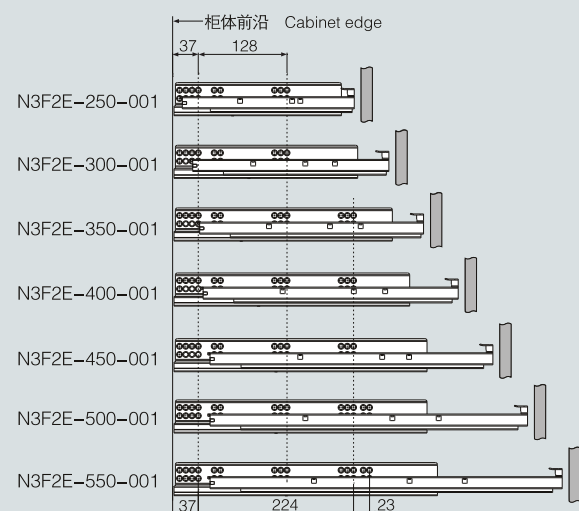
解锁 Unlock

将抽屉全拉出, 侧插销解锁后, 抽屉按箭头方向向上提, 即可拆卸。
 Fully pull out the drawer, lift it according to the direction of the arrow, the drawer can be demounted easily.



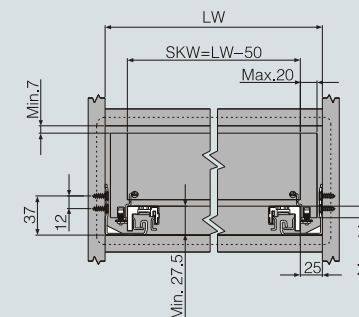
- 隐藏式、全拉出、静音式
 - 载重: 35kg
 - 材料: 镀锌板
 - 材料厚度(上、中、下)轨: 1.0x1.5x1.8mm
 - 无需工具, 抽屉可快速安装与拆卸
 - 静音系统, 滑轨运动顺畅
 - 抽屉高度可调节0-4mm
 - 缓冲功能 平缓关闭
- Concealed, full extension, quiet movement
 - Dynamic load capacity: 35kg
 - Material: galvanized steel
 - Material thickness: 1.0x1.5x1.8mm
 - Tool-free quick installation
 - Quiet system guarantees the slides run smoothly without noise
 - Drawer height adjustable for 0-4mm
 - Soft-closing function make the drawer close safely without effect of weight

柜体滑轨安装孔尺寸 Hole pattern



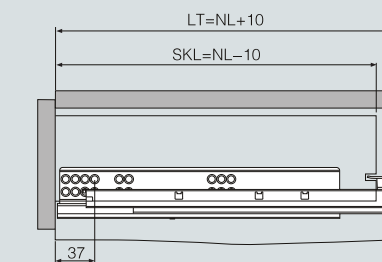
柜体所需空间 Space required

SKW: 抽屉净宽 Drawer width
 LW: 柜体净宽 Inside net width
 Max.: 最大尺寸
 Min.: 最小尺寸



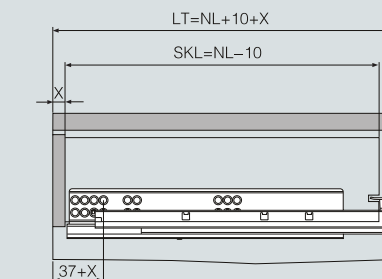
外置抽屉 Standard drawer

NL: 标称长度 Nominal length
 SKL: 抽屉长度 Length of drawer
 LT: 最小柜深 Min cabinet depth



内置抽屉 Inner drawer

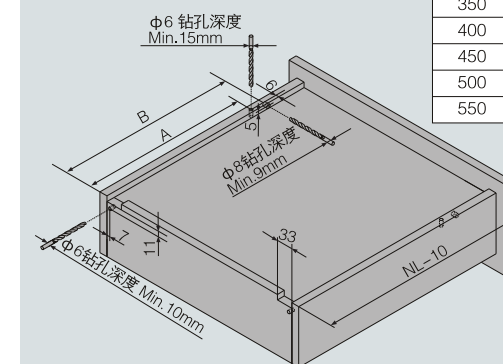
NL: 标称长度 Nominal length
 SKL: 抽屉长度 Length of drawer
 LT: 最小柜深 Min cabinet depth
 X: 面板厚度 Thickness of the front panel



抽屉后背开槽打孔尺寸 Hole size on rear panel of the drawer

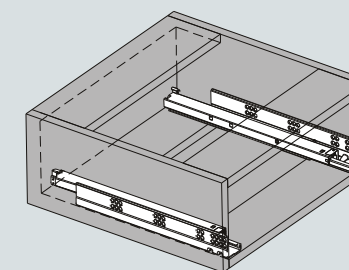
NL: 标称长度 Nominal length
 Min.: 最小尺寸

NL (mm)	A (mm)	B (mm)
250	190	200.5
300	245	255.5
350	270	280.5
400	305	319.5
450	330	369.5
500	355	419.5
550	390	469.5

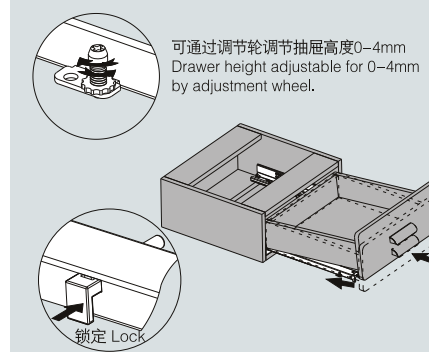


装卸调试步骤说明 Installation instruction

滑轨安装 Installation of the slides



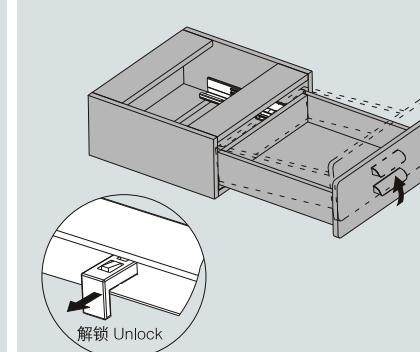
抽屉安装与调节 Installation of the drawer and adjustment



可通过调节轮调节抽屉高度0-4mm
 Drawer height adjustable for 0-4mm by adjustment wheel.

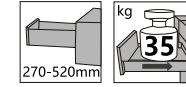
将滑轨全拉出, 插销解锁后(或留意下插销是否处于解锁状态), 把抽屉与滑轨上的定位块对准放下, 然后将插销锁定, 再将抽屉水平推入柜体, 抽屉即可关闭
 Fully open the slides, make sure the lock in the unlocked station, push the drawer down on the slides, then close the drawer.

抽屉拆卸 Removal of the drawer



将抽屉全拉出, 侧插销解锁后, 抽屉按箭头方向向上提, 即可拆卸。
 Fully pull out the drawer, lift it according to the direction of the arrow, the drawer can be demounted easily.

产品型号 Item No.	标称长度NL (mm) Nominal length	拉出长度 (mm) Travel length	最小柜深LT (mm) (外抽 / 内抽) Min cabinet depth (Standard / Inner)	包装 (套/箱) Packing (Set/Box)
N3F2E-250-001	250	229	260 / 260+X	10
N3F2E-300-001	300	279	310 / 310+X	10
N3F2E-350-001	350	329	360 / 360+X	10
N3F2E-400-001	400	379	410 / 410+X	10
N3F2E-450-001	450	429	460 / 460+X	10
N3F2E-500-001	500	479	510 / 510+X	10
N3F2E-550-001	550	529	560 / 560+X	10

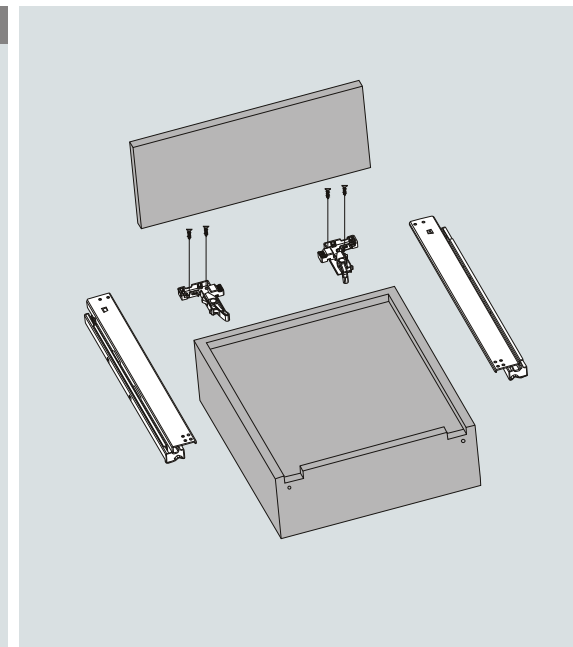
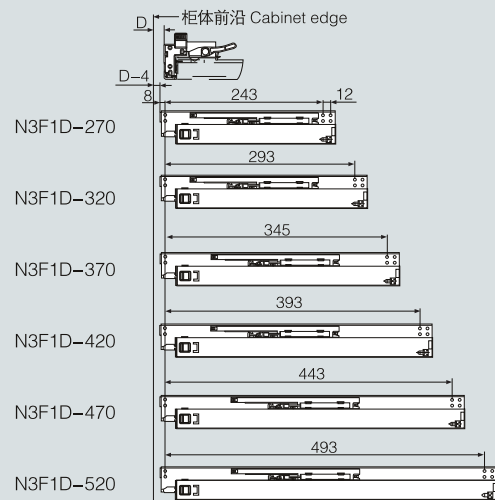


分离器 Locking Device

- 隐藏式、全拉出、静音式
- 载重: 35kg
- 材料: 镀锌板
- 材料厚度(上、中、下)轨: 1.0x1.5x1.8mm
- 无需工具, 抽屉可快速安装与拆卸
- 静音系统, 滑轨运动顺畅
- 三维调节, 高度调节0~3mm, 左右调节±2mm, 前后调节0~4mm
- 缓冲功能 平缓关闭
- Concealed, full extension, quiet movement
- Dynamic load capacity: 35kg
- Material: galvanized steel
- Material thickness: 1.0x1.5x1.8mm
- Tool-free quick installation
- Quiet system guarantees the slides run smoothly without noise
- 6-way adjustment, 0~3mm highly, ±2mm left and right, 0~4mm before and after
- Soft-closing function make the drawer close safely without effect of weight

柜体滑轨安装孔尺寸 Hole pattern

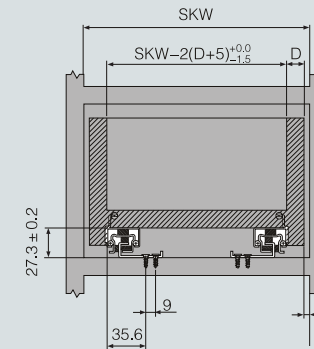
D: 自定义板厚 User defines board thickness



产品型号 Item No.	标称长度NL (mm) Nominal length	拉出长度 (mm) Travel length	最小柜深LT (mm) (外抽 / 内抽) Min cabinet depth (Standard / Inner)	包装 (套/箱) Packing (Set/Box)
N3F1D-270	250+D	250	276+D / 276+X+D	10
N3F1D-320	300+D	300	326+D / 326+X+D	10
N3F1D-370	350+D	350	376+D / 376+X+D	10
N3F1D-420-01	400+D	300	426+D / 426+X+D	10
N3F1D-420	400+D	400	426+D / 426+X+D	10
N3F1D-470	450+D	450	476+D / 476+X+D	10
N3F1D-520	500+D	500	526+D / 526+X+D	10

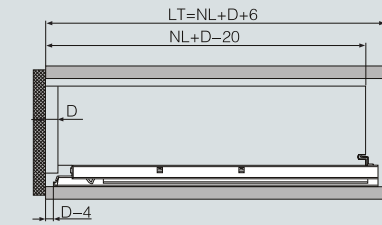
柜体所需空间 Space required

SKW: 抽屉净宽 Drawer width
D: 自定义板厚 User defines board thickness



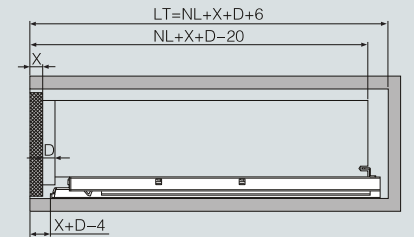
外置抽屉 Standard drawer

NL: 标称长度 Nominal length
D: 自定义板厚 User defines board thickness
LT: 最小柜深 Min cabinet depth(LT=NL+D+4)



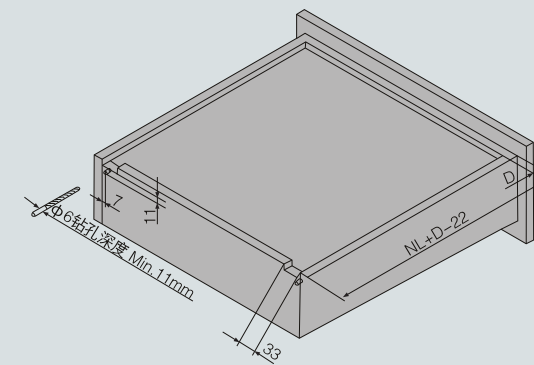
内置抽屉 Inner drawer

NL: 标称长度 Nominal length
LT: 最小柜深 Min cabinet depth
D: 自定义板厚 User defines board thickness
X: 面板厚度 Thickness of the front panel

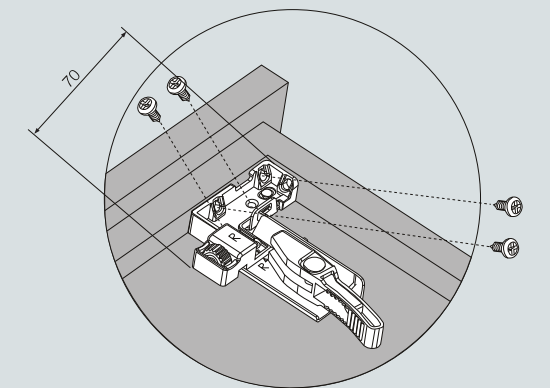


抽屉后板开槽打孔尺寸 Hole size on rear panel of the drawer

NL: 标称长度 Nominal length
Min.: 最小尺寸

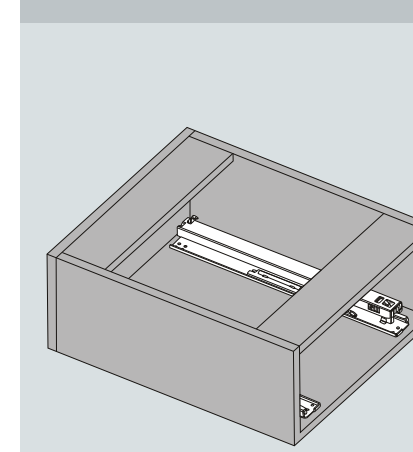


分离器安装 Installation of the locking device

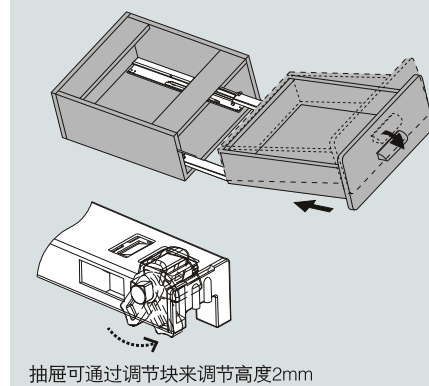


装卸调试步骤说明 Installation instruction

滑轨安装 Installation of the slides

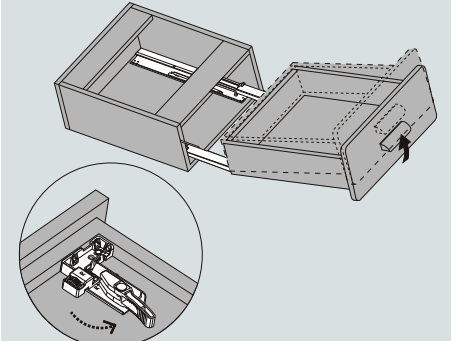


抽屉安装与调节 Installation of the drawer and adjustment



抽屉可通过调节块来调节高度2mm
The drawer can be adjusted 2mm vertically through the plastic adjustable parts

抽屉拆卸 Removal of the drawer



双手轻压分离器, 见箭头方向, 即可拆卸
Press the locking device with your hands softly in the direction of the arrow, then remove the drawer